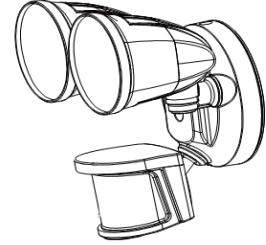


WARNING

READ PRIOR TO INSTALLATION. INSTALLATION SHOULD BE CARRIED OUT BY A CERTIFIED ELECTRICIAN.

RISK OF FIRE

Please read all instructions carefully before installing or servicing this fixture. Failure to follow instructions may result in death or serious injury. This product must be installed in accordance with applicable state and local codes by a qualified electrician familiar with the construction and operation of the product and the hazards involved. Luminaire must be connected to a wiring system with an equipment-grounding conductor.



Before you begin installing, servicing, or maintenance of this product follow these general precautions.

- To reduce the risk of death, personal injury, or property damage from fire, electrical shock, falling parts, cuts/abrasions, and other hazards please read all warnings and instructions included with and on this product prior to installation.
- For commercial installation: Service and maintenance of this product should be performed by a qualified, licensed electrician.
- For residential installation: If you are unsure about the installation or maintenance of this product, consult a qualified, licensed electrician.
- Do not mount the unit against flammable surfaces.
- This product is intended to be used outdoors, subject to the elements such as rain and snow, and we recommend it to be mounted at least 6' 6" off the ground.
- This LED product must be powered directly to a switched circuit.
- Make sure that where this fixture will be mounted is structurally sound and that it will support the weight of this fixture.
- This product should not be used in areas with limited ventilation or high ambient temperatures.
- This product is intended to be connected to a properly installed and grounded UL listed junction box.

WARNING! RISK OF ELECTRICAL SHOCK

- Turn off electrical power at the fuse or circuit breaker box before wiring this product to the power supply.
- Verify voltage is 120V before installing.
- All wiring connections should be capped with UL listed wire connectors.

CAUTION! RISK OF PRODUCT DAMAGE

- Never connect fixture with power on.
- Do not mount or support product in a manner that can cut the outer wire jacket or damage the wire insulation.
- Avoid covering LED products with insulation, foam, or other materials that will prevent convection or conduction cooling.
- Never connect an LED product directly to dimmer packs, occupancy sensors, timing devices, or other related control devices, unless individual product specifications deem otherwise.
- LED products are polarity sensitive, ensure proper polarity before installation.
- Electrostatic Discharge (ESD) can cause damage to LED products. Wear personal grounding equipment during installation and service of the product.
- Do not touch the individual electronic components, it may cause ESD (Electrostatic Discharge), shorten lamp life or alter performance.

CAUTION! RISK OF INJURY

- Wear gloves and safety glasses at all times when removing fixture from carton, installing or servicing the product.
- Avoid direct eye exposure to the light source while it is on.
- **LED LIGHTS ARE EXTREMELY BRIGHT, UNDER NO CIRCUMSTANCES SHOULD YOU LOOK DIRECTLY INTO AN LED LIGHT, THIS MAY CAUSE IRREPARABLE DAMAGE TO THE EYES.**
- Please dispose of packaging materials and account for all small parts as these can be hazardous to small children.

WARNING! RISK OF BURN

- Allow fixture to cool completely before handling.
- Do not exceed maximum voltage marked on the label.
- Keep combustible and other materials that can burn away from the light, lamp, and lens.

INSTALLATION

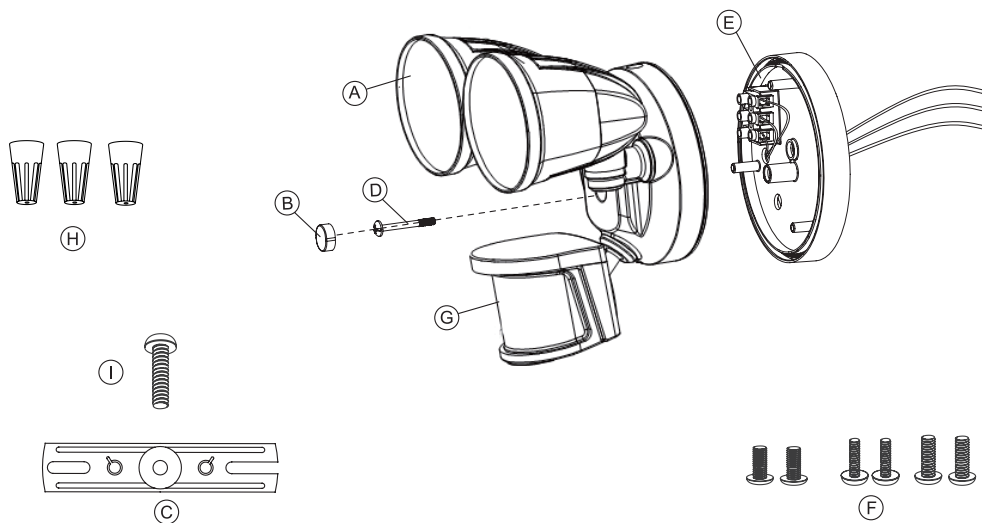
PARTS LIST

*Note: Fixture can be wall mounted or eave mounted.
 Silicon sealant recommended (not included)*

PART	DESCRIPTION	QTY
A	Light Fixture	1
B	Plastic Screw Cover	1
C	Cross Bar (Included, optional use)	1
D	Fixture Mounting Screw (pre-installed)	1
E	Mounting Bracket	1
F	Mounting Screws	6
G	Motion Detector	3
H	Wire Connector	1
I	Mounting Bracket Screws	1

Tools Required for Installation:

Philips screwdriver, level.



INSTALLATION

MOUNTING AND WIRING THE LIGHT

Note: Do not mount on the ground, recommended installation height is 6 1/2'-10'. Before you begin make sure that your power is turned off at your circuit breaker box. Do not rely on the switch power being turned off.

1. The fixture mounting bracket (E) is pre-assembled on the light fixture. Unscrew the fixture mounting screw (D) in order to remove the mounting bracket.

2. Install the cross bar (C) to the outlet box with the stamped word "FRONT" facing away from the outlet box, using two mounting screws (F) that best fit the outlet box. Back plate should sit flush against wall surface when secured. (Choose one matching pair of suitable mounting screws (F) from the 3 pairs provided)

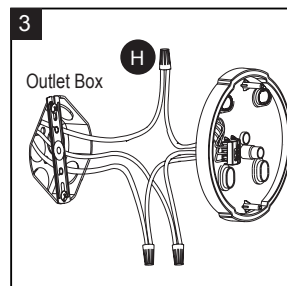
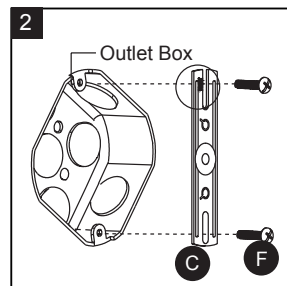
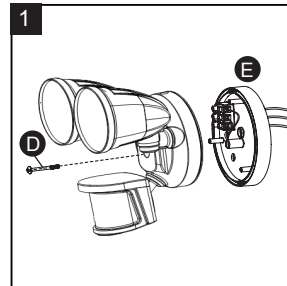
3. Pull out the source wires from the outlet box. Make wire connections using wire connectors (H) as follows:

—Connect the black wire from the fixture to the "hot" wire from the power source.(usually black)

—Connect the white wire from the fixture to the neutral wire from the power source. (usually white)

—Connect the grounding wire from the fixture to the grounding wire from the power source. (usually green / yellow insulation)

Carefully tuck the wires back into the outlet box.

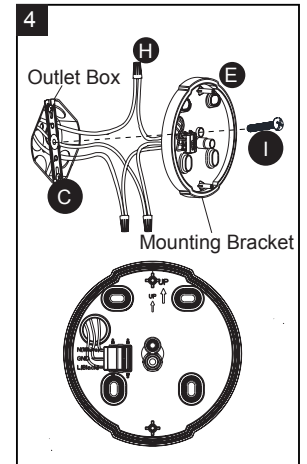


4. Place mounting bracket (E) against the outlet box, insert the mounting bracket screw (I) through the mounting bracket hole, thread mounting bracket screw (I) into the center hole of the cross bar (C). Tighten the mounting bracket screw (I) securely.

▲ When mounting to a wall, the "UP" arrow must point upward.

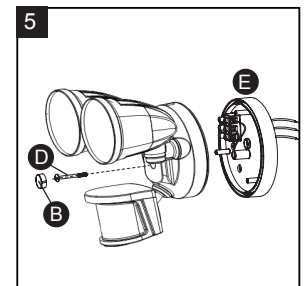
▲ When mounting to an eave, the "UP" arrow must point toward the building.

5. Attach the back plate of the light fixture (A) to the mounting bracket, secure it with the fixture mounting screw (D). Push the decorative cover (B) firmly into the fixture mounting screw hole on the light fixture.



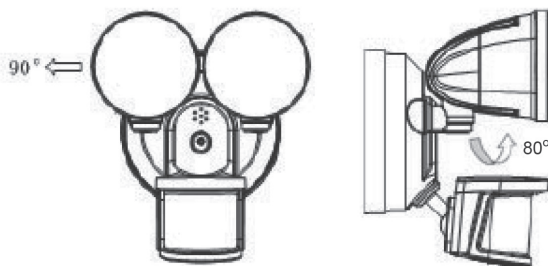
With silicone caulking compound, caulk completely around where the mounting bracket meets the wall surface.

CAUTION: Be sure to caulk completely where the mounting bracket meets the wall surface to prevent water from seeping into the outlet box.



ADJUSTING THE LIGHT HEADS

The light heads can be adjusted by turning the individual light head to desired position. You can also adjust you light head up and down to your desired position.

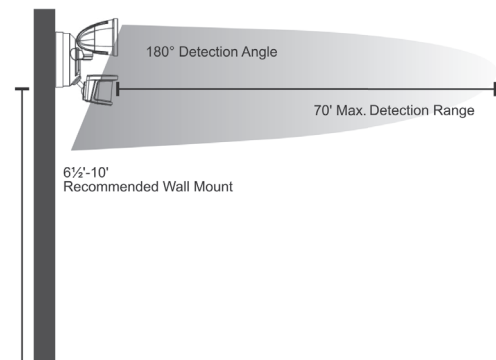


SETTING THE MOTION SENSOR

Adjust the motion sensor to set your motion detection range.

Max. Detection Range 70'

Detection Angle. 180°



INSTALLATION

OPERATING INSTRUCTIONS

FUNCTION AND OPERATION

NOTE: You must adjust the motion sensor on the light to the desired area before you can adjust the time and sensitivity settings.

TIME SETTING

This setting controls the time duration your security light will remain on after detecting motion within the range of the motion detector. The time setting will allow you to set the time period the light will stay on. Slide the switch to the amount of time you would like the light to stay on. (See illustration, dials are located on the bottom side of the motion detector).

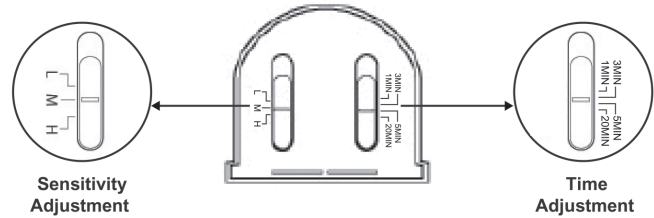
SENSITIVITY SETTINGS

To increase the detection zone, slide the switch toward the "H" (high) position. To decrease the detection zone, slide the switch toward the "L" (low) position.

MANUAL OVERRIDE MODE (NIGHTTIME OPERATION ONLY)

You can also set the light to remain on all night by turning the wall switch off/ on/off/ on within 3 seconds. The lights will stay on and then turn off automatically at dawn and reset back to the sensor mode for the next evening.

NOTE: To make sure the above functions operate properly, always keep the wall switch in the "ON" position (including the daytime).



WARNING:

Do not dispose of electrical appliances as unsorted municipal waste. Use separate collection facilities. If electrical appliances are disposed of in landfills or dumps, hazardous substances can leak into the groundwater and get into the food chain, damaging your health and well-being.

CARE AND CLEANING

To prolong the original appearance, clean the light fixture with clear water and a soft, damp cloth only. Do not use paints, solvents, or other chemicals on this light fixture. They could cause a premature deterioration of the finish. This is not a defect in the finish and will not be covered by the warranty. Do not spray the light fixture with a hose or power washer.

TROUBLESHOOTING

<p>The light does not come on.</p>	<p>Verify that the power is turned on at the switch and breaker. Verify that the product is properly wired. Verify that the line voltage is correct (120V).</p>
<p>In manual override mode, the light stays on after dawn:</p>	<p>The ambient light level may be too low due to overcast skies.</p>

PRODUCT MAINTENANCE

To clean the surface of the light, use mild soap and water. Do not use scouring pads, powders, steel wool, or any other abrasive materials. Do not immerse in water.