

## INSTALLATION INSTRUCTIONS

### LED AREA LIGHT INSTRUCTIONS

**Warning:**

**THIS PRODUCT MUST BE INSTALLED IN ACCORDANCE WITH ALL APPLICABLE INSTALLATION CODES BY A LICENSED ELECTRICIAN.**

To avoid the risk of fire, explosion, or electric shock, this product should be installed, inspected, and maintained by a qualified electrician only, in accordance with all applicable electrical codes.

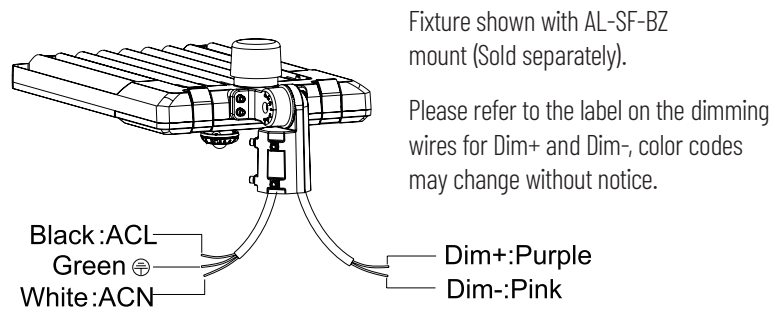
**To avoid electric shock:**

- Be certain electrical power is OFF before and during installation and maintenance.
- Luminaire must be connected to a wiring system with an equipment-grounding conductor.

**Warning:**

- Make sure the supply voltage is the same as the rated luminaire voltage.
- This fixture is not designed for use with temporary power sources such as generators.
- Do not install where the marked operating temperatures exceed the ignition temperature of the hazardous atmosphere.
- Do not operate in ambient temperatures above those indicated on the luminaire nameplate.
- Keep lens tightly closed when in operation.
- Supply wire must be rated for 90°C minimum.

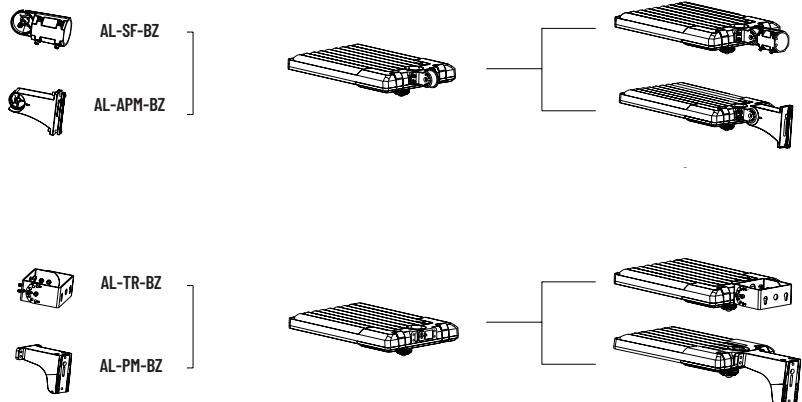
To prevent water intrusion, ensure the shorting cap or photocell is installed properly and the gasket is present and that the lens door is correctly seated and sealed. Failure to do so will cause damage to the fixture.



### Optional Brackets and Installation Instructions

There are 4 optional brackets for this fixture. Please refer to the installation instructions below for additional details.

- AL-SF-BZ: Slip Fitter Mount**
- AL-APM-BZ: Adjustable Pole Mount**
- AL-TR-BZ: Trunnion Mount**
- AL-PM-BZ: Pole Mount**



## MOUNTING BRACKET INSTALLATION INSTRUCTIONS

### 1. Adjustable Slip Fitter Mount AL-SF-BZ

Step 1: Remove the bracket base from the bracket and then install the bracket base onto the light fixture with included fasteners. (Fig.1)

Step 2: Run the wires through the bracket. (Fig.2)

Step 3: Install the bracket on the fixture and tighten fasteners. (Fig.3)

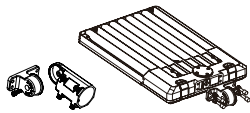


Fig 1

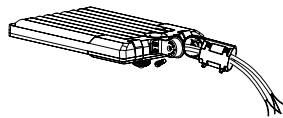


Fig 2

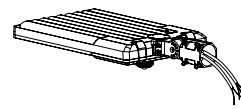


Fig 3

### 2. Adjustable Pole Mount AL-APM-BZ

Step 1: Remove the bracket base from the bracket and then install the bracket base onto the light fixture with included fasteners. (Fig. 4)

Step 2: Run the wire through the bracket. (Fig.5)

Step 3: Install the bracket on the fixture, then install side cover and tighten fasteners. (Fig. 6)

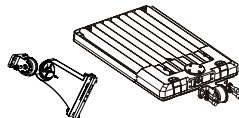


Fig 4

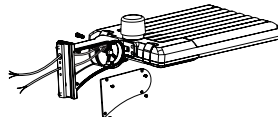


Fig 5

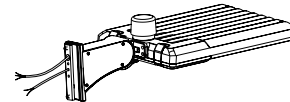
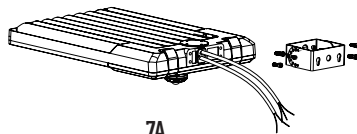


Fig 6

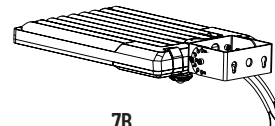
### 2. Trunnion Mount AL-TR-BZ

Step 1: Remove the bracket mounting fasteners on the fixture and run the wires through the bracket. (Fig. 7A)

Step 2: Install the bracket on the fixture and tighten fasteners. (Fig. 7B)



7A

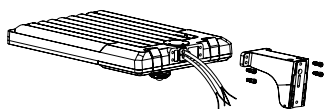


7B

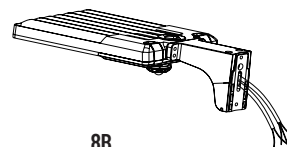
### 4. Pole Mount AL-PM-BZ

Step 1: Remove the bracket mounting screws on the fixture and run the wires through the bracket. (Fig. 8A)

Step 2: Install the bracket on the fixture and tighten fasteners. (Fig. 8B)



8A



8B

## AREA LIGHT INSTALLATION INSTRUCTIONS

### 1. Installation of Area Light AL-SF-BZ

Step 1: Loosen the four bolts on Slip Fitter bracket, connect the fixture wires to the correct supply conductors, and pull the wires into the poles. (Fig. 9)

Step 2: Place the bracket onto the pole and tighten the four fasteners. (Fig. 10)

Notice: Adjustable angle is 0-90° (Fig. 9)

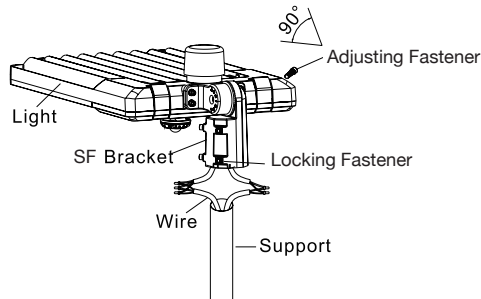


Figure 9

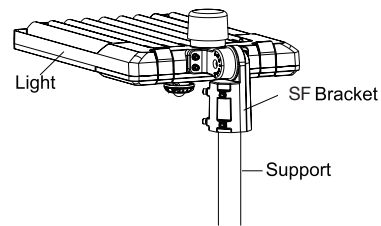


Figure 10

### 2. Installation of Area Light with AL-APM-BZ

Step 1: Fix Pole Mount bracket to square pole with bolt, put the connected wire into pole. (Fig. 11)

Step 2: Put the wiring connections into the junction box, then cover the junction box. Fig. 12)

Notice: Adjustable angle is 0-35° (Fig. 11)

Installation onto a round pole follows the same steps. Please remove the silicone spacer plate when installing on a round pole (Fig. 13)

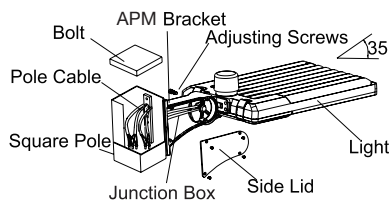


Figure 11

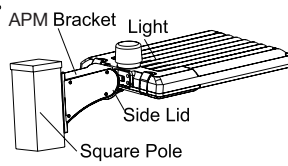


Figure 12

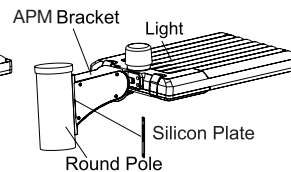


Figure 13

### 3. Installation of Area Light with AL-TR-BZ

Step 1: Drill holes on the wall as shown. (Fig. 14)

Step 2: Knock the expansion included bolts into the wall. (Fig. 15)

Step 3. Connect the fixture to the bracket and tighten the screws; connect the fixture wiring to the appropriate supply conductors and put them into junction box. (Fig. 16) Notice: Adjustable angle is 0-90° (Fig. 16)

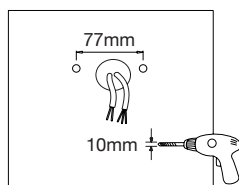


Figure 14

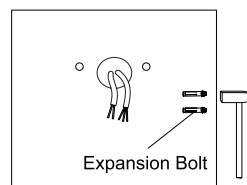


Figure 15

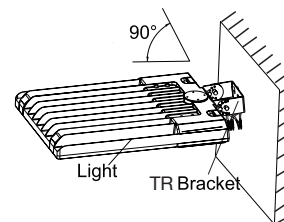


Figure 16

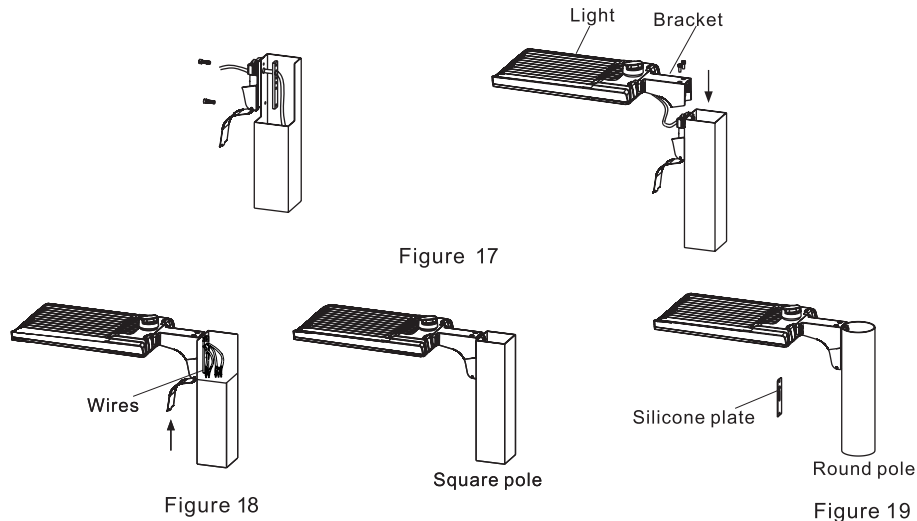
## AREA LIGHT INSTALLATION INSTRUCTIONS

### 4. Installation of Area Light with AL-PM-BZ

Step 1: The base has hole patterns that are compatible with most existing pole drill holes. If necessary, drill new holes in pole. Feed supply wires from inside the pole through the mounting bracket base. (Fig. 17)

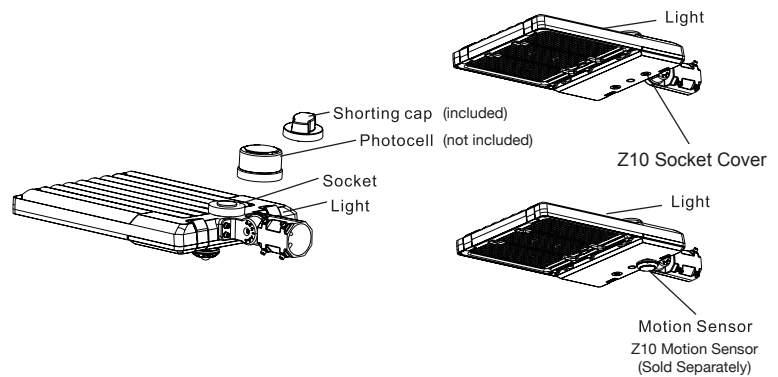
Step 2: Fix Pole Mount bracket to square pole with included bolt, put the connected wire into pole. (Fig. 18)

Installation onto a round pole follows the same steps. Please use the included silicone spacer plate when installing on a round pole (Fig. 19)



### 5. Adding a Photocell or Z10 sensor

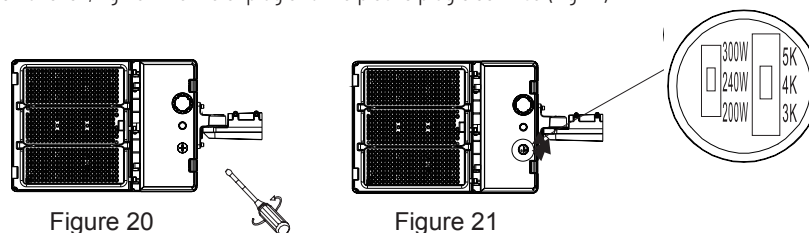
When the photocell function is required, photocell should be installed on the back of light: when it's not required, the included shorting cap must be installed on the back of light. When the Z10 sensor function is required, remove the Z10 socket cover from the front of the light: when it's not required, the cover must remain installed on the fixture.



### 6. Adjusting Color and Wattage

Step 1: Turn the metal plug counter clock wise with a screwdriver and remove, then slide the switch left and right to adjust the power controller, CCT controller as needed. (Fig 20).

Step 2: After adjusting the required control function, tighten the metal plug and the plastic plug clockwise (Fig. 21)



## AREA LIGHT INSTALLATION INSTRUCTIONS

### 1. Installing different lens

Step 1: Open lens door frame by unbuckling the latches and remove the pre-installed lens. (Fig. 22)

Step 2: Choose different lens to be installed. With lens alignment arrow pointing to front of fixture insert lens into fixture. Ensure lens and gasket are set properly. (Fig. 23)

Step 3: Close the lens door frame and buckle latches. Inspect door frame and lens. Latches must be fully closed. (Fig. 23)

\*NOTE: Lens, gasket and door frame must be seated properly. Failure to do so may cause water intrusion and damage fixture.

\*T5 lens pre-installed. T4 and T3 included in package.

T2 lens sold separately.

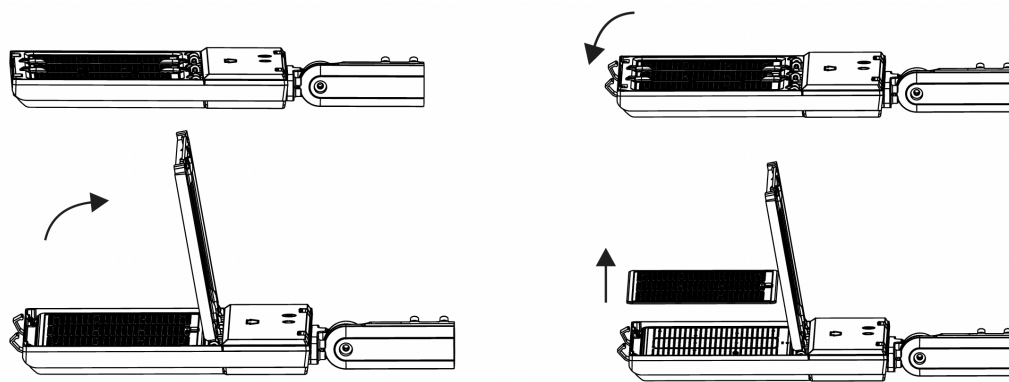


Figure 22

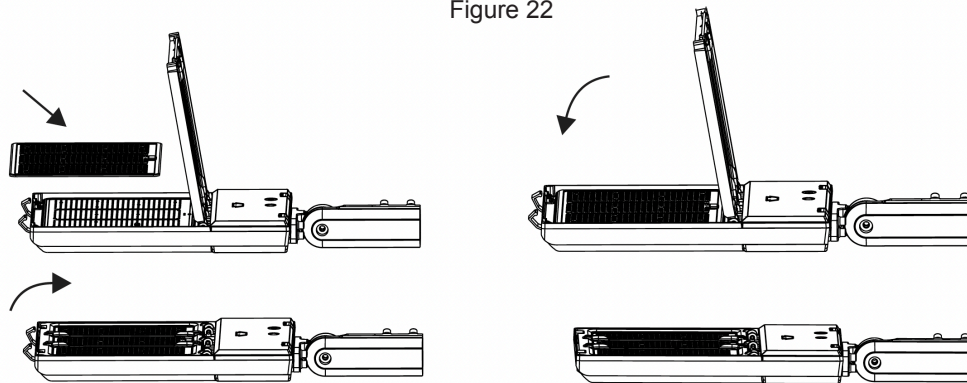
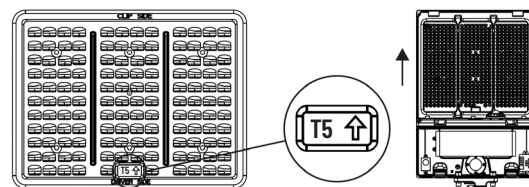


Figure 23



Note: When installed in the correct orientation, arrow should point toward the front of the fixture.