

INSTALLATION INSTRUCTIONS

CANOPY LIGHT FIXTURE

WARNING:

THIS PRODUCT MUST BE INSTALLED IN ACCORDANCE WITH ALL APPLICABLE INSTALLATION CODES BY A LICENSED ELECTRICIAN.

To avoid the risk of fire, explosion, or electric shock, this product should be installed, inspected, and maintained by a qualified electrician only, in accordance with all applicable electrical codes.

TO AVOID ELECTRIC SHOCK:

- Be certain electrical power is OFF before and during installation and maintenance.
- Luminaire must be connected to a wiring system with an equipment-grounding conductor.

WARNING:

- Make sure the supply voltage is the same as the rated luminaire voltage.
- This fixture is not designed for use with temporary power sources such as generators.
- Do not install where the marked operating temperatures exceed the ignition temperature of the hazardous atmosphere.
- Do not operate in ambient temperatures above those indicated on the luminaire nameplate.
- Keep lens tightly closed when in operation.
- Supply wire must be rated for 90°C minimum.

INSTALLATION

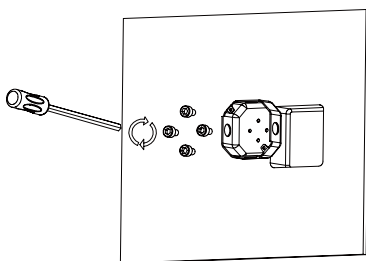


Fig 1

1. Install standard junction box base on the wall. (PS: Junction box is not included)

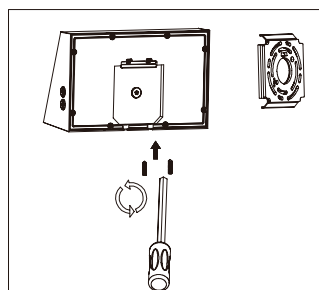


Fig 2

2. Use the Hex Wrench to remove screws and take apart the mounting bracket from fixture.

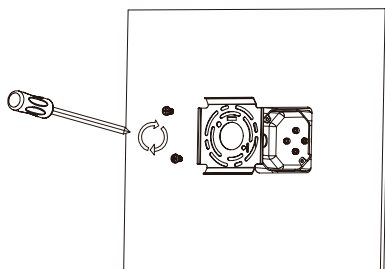


Fig 3

3. Install the mounting bracket to the junction box.

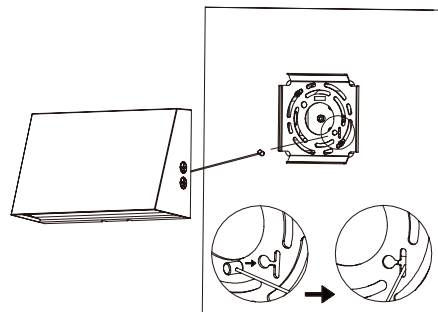


Fig 4

4. Attach the safety cable to the bracket to hold the fixture onto the wall.

INSTALLATION INSTRUCTIONS

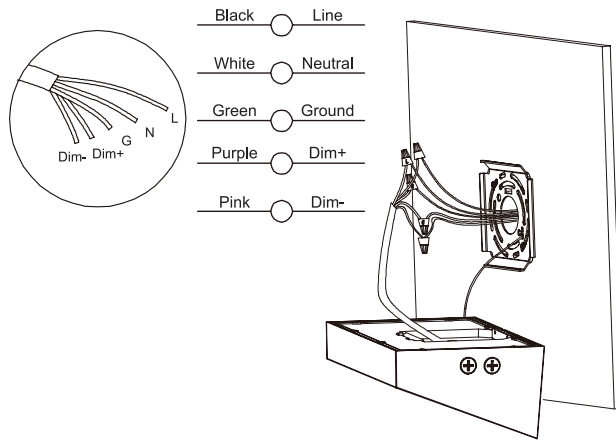


Fig 5

5. Connect wires according to above wire diagram.

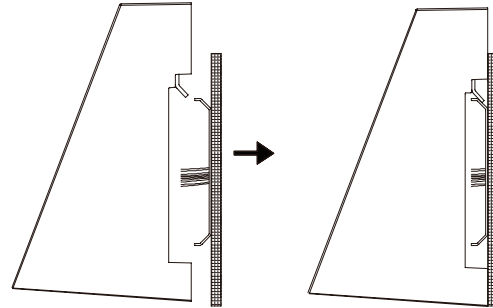


Fig 6

6. Install the fixture onto the bracket.

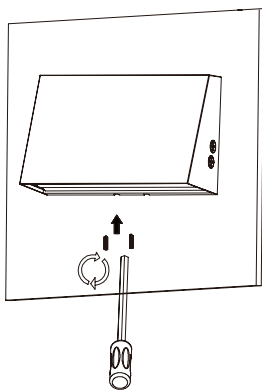


Fig 7

7. Install screws and tighten with hex wrench. Confirm fixture is properly secured to mounting bracket and wall.

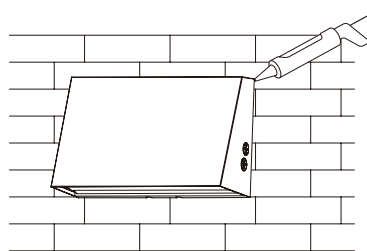


Fig 8

8. Apply silicone sealer around the fixture where it meets the wall to prevent water entry. Failure to do so may cause damage to fixture.

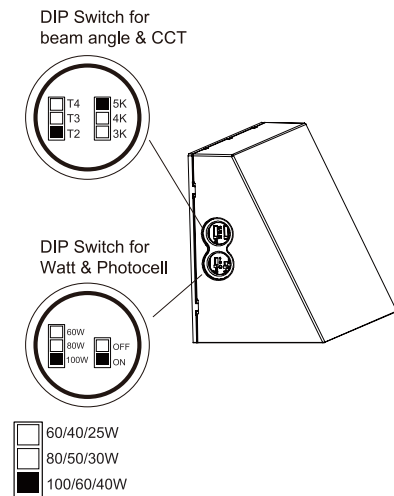


Fig 9

9. Choose your desired wattage, CCT and beam angle by the DIP switch. Make sure the side coin plug caps are tightened and gasket is present after above operation.