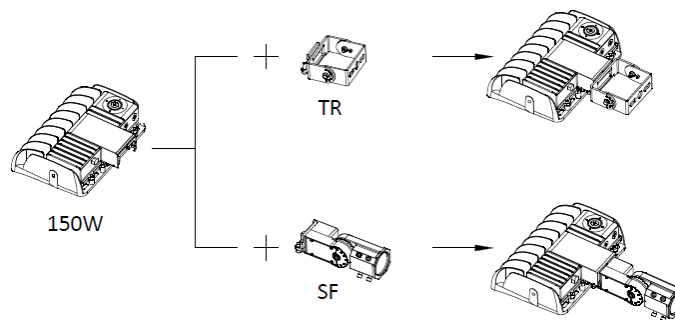


LED FLOOD LIGHT MPFLEDWS5K

WARNING

READ PRIOR TO INSTALLATION. INSTALLATION SHOULD BE CARRIED OUT BY A CERTIFIED ELECTRICIAN.

MODEL	INPUT VOLTAGE	POWER FACTOR	WATTAGE	INPUT CURRENT
MPFLEDWS5KTR	100-277VAC 50/60HZ	≥ 0.9	150W	1.8A
MPFLEDWS5KSF	100-277VAC 50/60HZ		150W	1.8A



1. Introduction

This LED Flood light uses the latest in solid state lighting technology for long life, low maintenance, and high efficiency.

The same as traditional HID lighting. There are two installation methods, suitable for various occasion.

An internal power-factor-corrected switch-mode supply allows it to be used from any nominal 100-277VAC, 50/60Hz supply without any variation in light output.

Suitable for use in the following locations:

- Ambient Temp: -40~+50°C
- Wet Locations

Note: Save these instructions for future reference.

2. Installation

WARNING:

THIS PRODUCT MUST BE INSTALLED IN ACCORDANCE WITH THE APPLICABLE INSTALLATION CODE BY A PERSON FAMILIAR WITH THE CONSTRUCTION AND OPERATION OF THE PRODUCT AND THE HAZARDS INVOLVED.

Warning:

To avoid the risk of fire, explosion, or electric shock, this product should be installed, inspected, and maintained by a qualified electrician only, in accordance with all applicable electrical codes.

Warning:

To avoid electric shock:

- Be certain electrical power is OFF before and during installation and maintenance.
- Luminaire must be connected to a wiring system with an equipment - grounding conductor.

Warning:

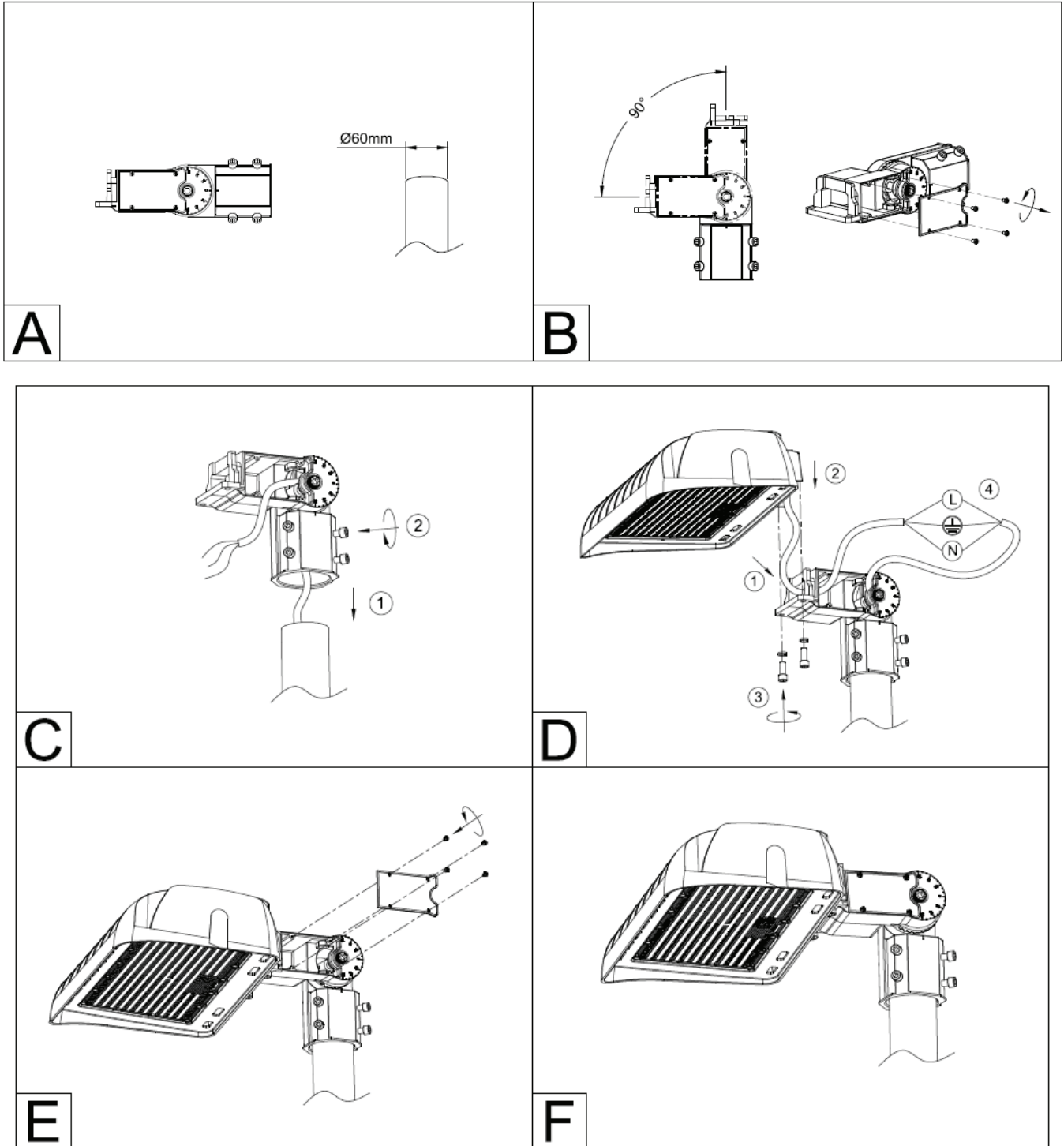
To avoid explosion:

- Make sure the supply voltage is the same as the rated luminaire voltage.
- Do not install where marked operating temperatures exceed the ignition temperature of the hazardous atmosphere.
- Do not operate in ambient temperatures above those indicated on the luminaire nameplate.

For supply connections use wire rated for at least 90°C.

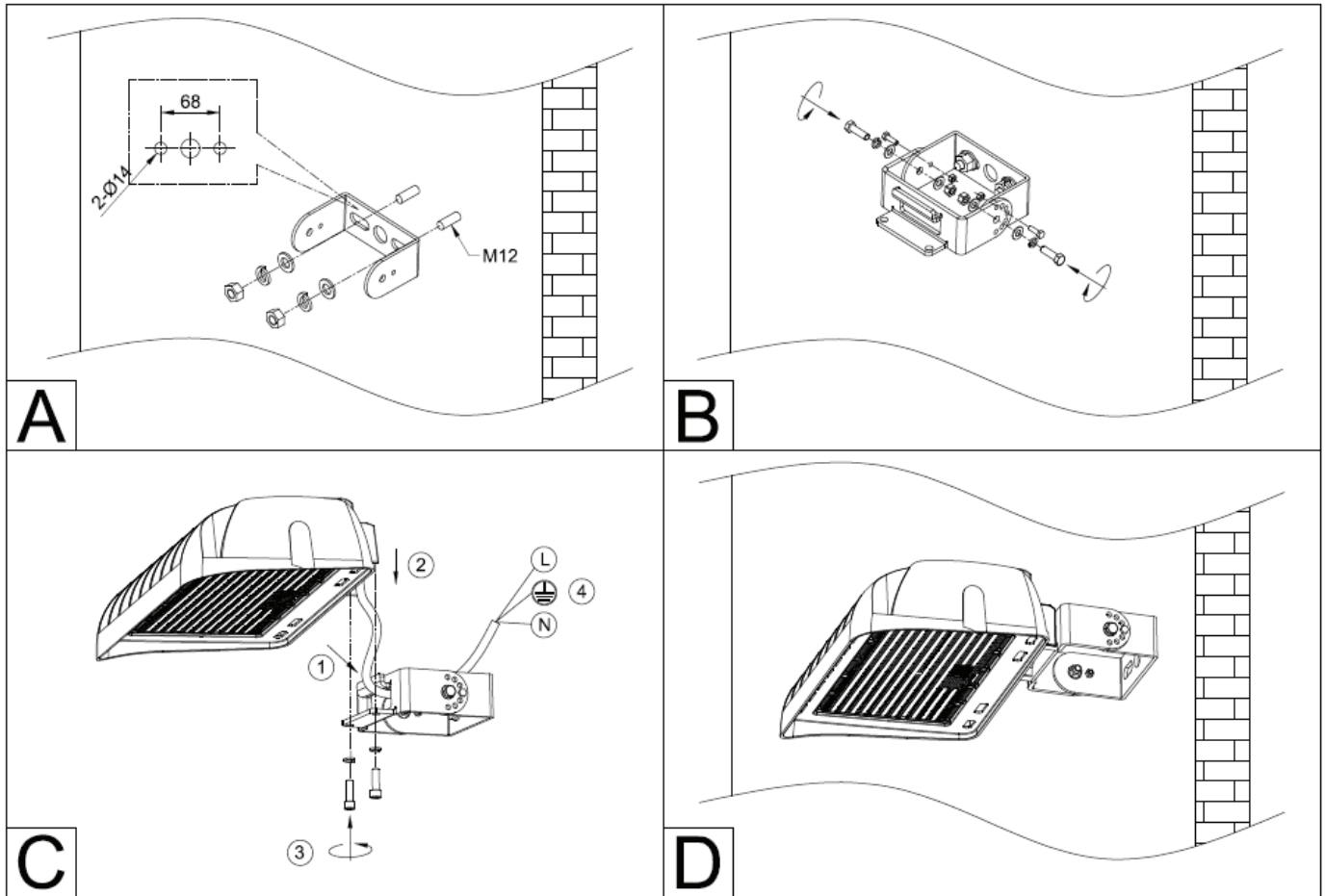
INSTALLATION

1. Mounting with a Slip fitter:



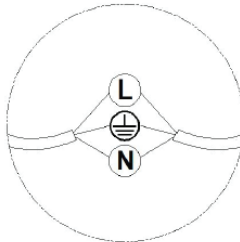
INSTALLATION

2. Wall mounted installation: The mounting method of the straight arm is added to a wall mounted fixing plate, and the fixing plate is mounted on the wall, and the fixing plate is fixed by a nut.



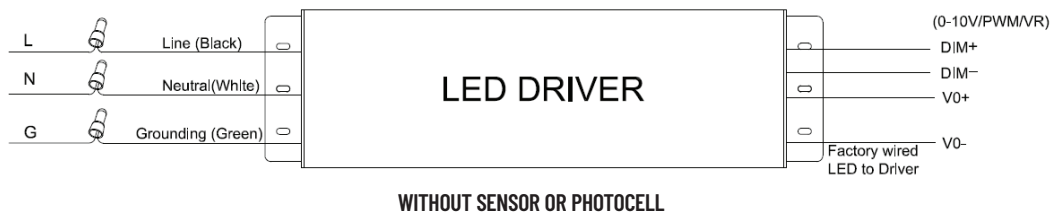
INSTALLATION

3. Pole Installation Wiring:



Wiring enlarged illustration

Connect the lamp pole internal cable with the luminaire cable. The neutral line is connected to the neutral line. The ground line is grounded, and the live line is connected to the fire line.



After installation, please:

- Check whether the lighting fixture is firmly fixed.
- Check whether wires are connected correctly.
- At last, turn on the power, and check if the lighting fixture works well. If not, please turn off the power and contact with local dealer.

Function description of Wattage Tunable:

If the luminaire is designed to be wattage tunable. Please unscrew the knob cap before using the watt selectable function. According to the watt selectable label shown below. Please toggle the DIP switch 1,2,3 to select the corresponding watt. Screw the knob cap after using the watt selectable function.

