

LED WALL PACKS

WARNING

READ PRIOR TO INSTALLATION. INSTALLATION SHOULD BE CARRIED OUT BY A CERTIFIED ELECTRICIAN.

RISK OF FIRE

Led are hot. Keep combustible material away from hot parts.

RISK OF FIRE

Observe lamp manufacturer's warnings, recommendations and restrictions on lamp operation and maintenance.

Warning:

To avoid the risk of fire, explosion, or electric shock, this product should be installed, inspected, and maintained by a qualified electrician only, in accordance with all applicable electrical codes.

Warning:

To avoid electric shock:

- Be certain electrical power is OFF before and during installation and maintenance.
- Luminaire must be connected to a wiring system with an equipment - grounding conductor.

Warning:

To avoid explosion:

- Make sure the supply voltage is the same as the rated luminaire voltage.
- Do not install where marked operating temperatures exceed the ignition temperature of the hazardous atmosphere.
- Do not operate in ambient temperatures above those indicated on the luminaire nameplate.

WARNING: FAILURE TO FOLLOW THESE INSTRUCTIONS AND WARNINGS MAY RESULT IN DEATH, INJURY, OR SIGNIFICANT PROPERTY DAMAGE - For your protection, read and follow these warnings and instructions carefully before installing or maintaining this fixture. These instructions do not attempt to cover all installation and maintenance situations. If you do not understand these instructions or additional information is required, contact TamLite Lighting or your local TamLite Lighting distributor.

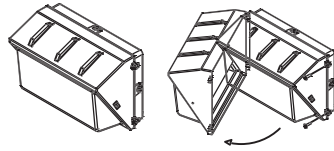
WARNING: RISK OF ELECTRIC SHOCK - To avoid electric shock, serious injury, or death, be certain that all electrical power is disconnected from the supply branch circuit conductors before installing or maintaining this fixture. This product must be installed and maintained in accordance with the applicable installation codes by a person familiar with the construction and operation of the product and the hazards involved.

INSTALLATION

MOUNTING - Wall pack is designed to allow for a variety of mounting configurations. It can be mounted directly to a recessed junction box or mounted directly to the wall. Do not install up. NOT INTENDED FOR MOUNTING INVERTED OR ON CEILING.

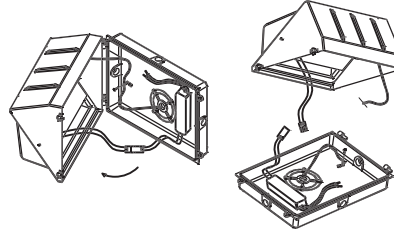
LED WALL PACKS

INSTALLATION



Open the front cover

FIG.1



Separate front cover and the back of the rear housing, disconnect the wires between driver and PCB board.

FIG.2

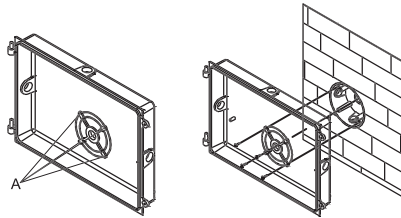


FIG.3
 JUNCTION BOX MOUNTING

Look at the back of the rear housing to locate the pre-cast locators which allow for lag-bolt surface mounting. Using a hammer and punch, prepare the housing by knocking out only the appropriate mounting holes. (FIG.3) or (FIG.4). Attach conduit to fixture and secure fixture to wall.

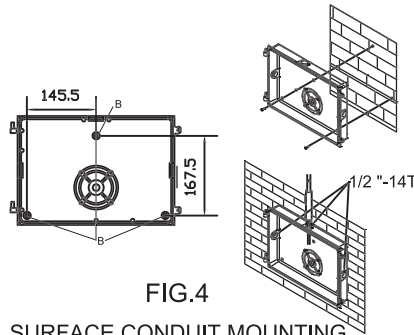


FIG.4
 SURFACE CONDUIT MOUNTING

Remove the appropriate threaded plug (top of sides) from housing to allow conduit entry

Attach conduit to fixture and secure fixture to wall

NOTE: All unused conduit entries must be plugged.

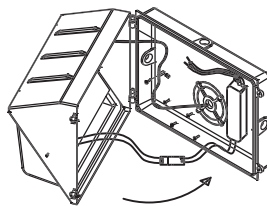


FIG.5

Please refer to (Figure 6.1 & 6.2) for wire connections.

Note: The ground wire in the front cover must be connected to the ground wire in the rear frame.

NOTE: For supply connections use wire rated for at least 90°C

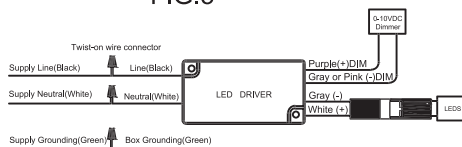
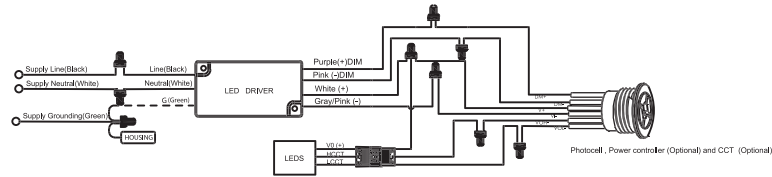


FIG.6.1
 Wiring layout

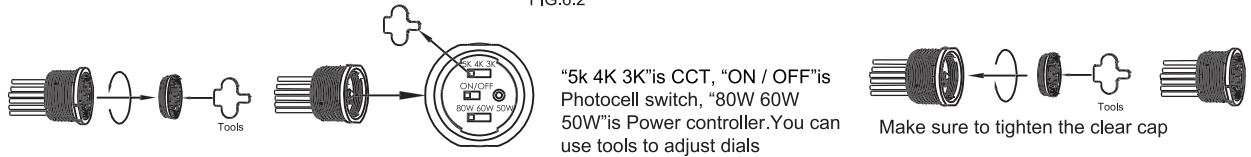
LED WALL PACKS

INSTALLATION



Wiring diagram with CCT , Power controller and Photocell

FIG.6.2



Three-in-one controller

FIG.6.3

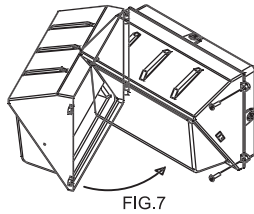


FIG.7

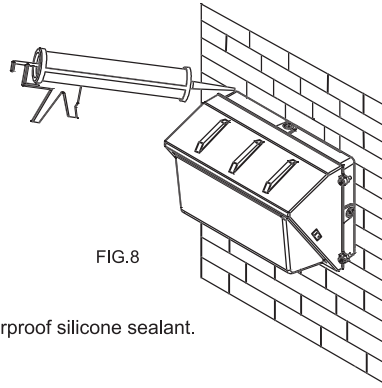


FIG.8

Make sure all wiring access holes are sealed with weatherproof silicone sealant.

Model number parameter list:

Item	Model	Input Voltage	Watt	Input Current	Weight
A	W1LED-WS-3CS	100-277VAC	30W	0.35 A	5.5 lbs
B	W2LED-WS-3CS W2LED-WS-3CS-WH	120-277VAC	80W	1.1 A	9.9 lbs
C	W3LED-WS-3CS	100-277VAC	120W	1.4 A	14.8 lbs

After installation, please

➤check whether the lighting fixture is firmly fixed.

➤check whether wires are connected correctly.

At last, turn on the power, and check if the lighting fixture works well. If not, please turn off the power and contact with local dealer.

Warning: the luminaire shall be installed by qualified electrician.