

USER MANUAL

DDSLEDWSCS DUSK TO DAWN

CAUTION:

THIS PRODUCT MUST BE INSTALLED IN ACCORDANCE WITH THE APPLICABLE INSTALLATION CODE BY A PERSON FAMILIAR WITH THE CONSTRUCTION AND OPERATION OF THE PRODUCT AND THE HAZARDS INVOLVED

SAFETY INSTRUCTION

- Read instructions carefully before attempting to install fixture. Retain instruction for future reference.
- Disconnect power before installing or servicing. This fixture must be wired in accordance with the National Electrical Code and applicable local codes and ordinances.
- All wiring should be performed by a qualified electrician. This fixture is for outdoor use and should not be used in areas with limited ventilation or high ambient temperatures.

AFTER INSTALLATION, PLEASE

- Check whether the lighting fixture is firmly fixed.
- Check whether wires are connected correctly.
- At last, turn on the power, and check if the lighting fixture works well. If not, please turn off the power and contact with local dealer.

INSTALLATION - DIRECTLY FIX TO MOUNTING SURFACE

1. Do not remove any part of the fixture.
2. Specification please see the label on fixture.
3. Use expansion bolts to secure the fixture on mounting surface. (See Fig. 1&Fig.2)
4. Keep enough length wires to ensure adjusting angle unhindered.
5. Connect wires into wiring terminal; white wire to "Neutral" terminal, black wire to "Live" terminal, green wire to "Ground" terminal;and fix them by screws.
6. Please mention the main specification as following before wiring. (See Table 1)

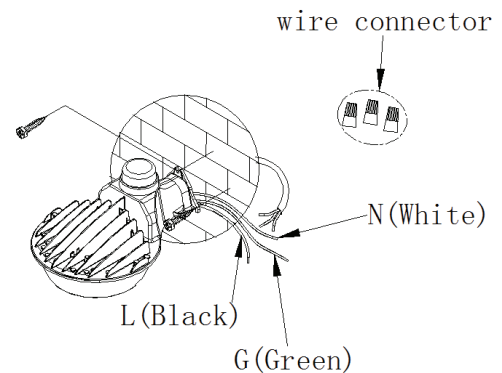


FIG. 1

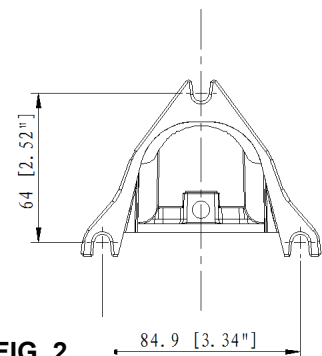


FIG. 2

USER MANUAL

DDSLEDWSCS WALL PACK

INSTALLATION- FIX TO MOUNTING SURFACE WITH AN ARM

1. Connect the wire in same color correspond to wire N, L and G) together with a wire connector.
2. Put one end of the tube into the U-slot, and then fix the tube with two hex socket screws. Please make sure that the tube will not rotate. (See Fig. 3)
3. Fixed -clamp on the pipe in a right position and make sure that the pipe will not rotate.
4. Install the light fixture on the wall with four screws.

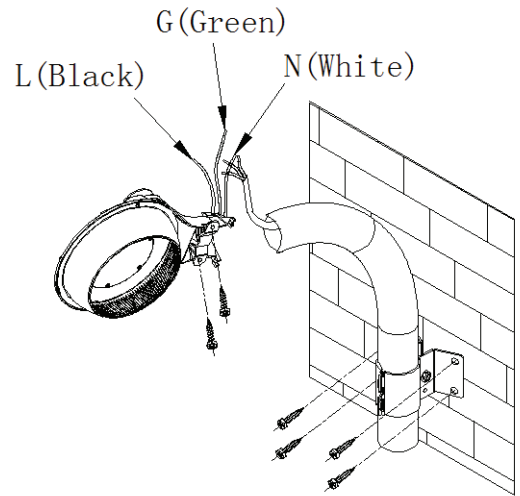
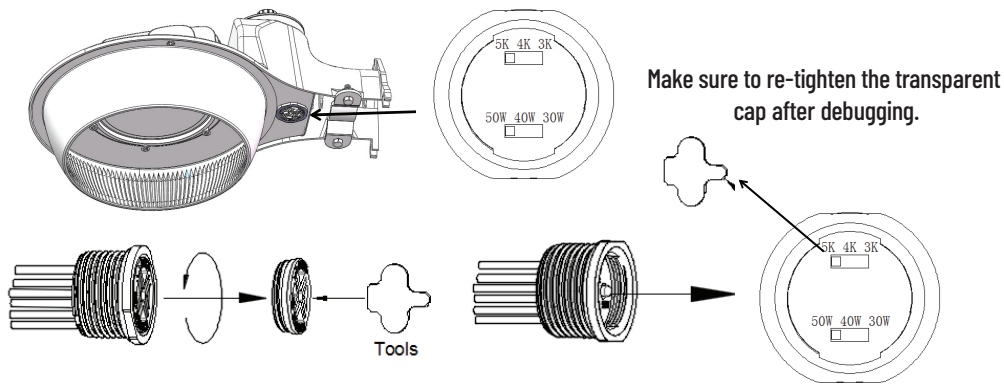


FIG. 3

WATTAGE AND CCT TWO ARE ADJUSTABLE

DO NOT SWITCH UNDER LOAD.DISCONNECT POWER BEFORE SERVICING



According to the watt and CCT selectable label shown in the diagram. Please toggle the DIP to select the corresponding watt and CCT.

PHOTOCELL OPTIONAL

Turn the knob cap when you are using the photocell.

