

INSTALLATION INSTRUCTIONS

BLST INSTALLATION INSTRUCTIONS

INTRODUCTION:

The BLST series flood light uses the latest in solid state lighting technology for long life, low maintenance, and high efficiency. Suitable for 120-277V AC.

Suitable for use in the following locations:

- Ambient Temp: -40~+40°C
- Wet Locations

WARNING:

To avoid the risk of fire, explosion, or electric shock, this product should be installed, inspected, and maintained by a qualified electrician only, in accordance with all applicable electrical codes.

To avoid electric shock:

- Be certain electrical power is OFF before and during installation and maintenance.
- Luminaire must be connected to a wiring system with an equipment-grounding conductor.

To avoid explosion:

- Make sure the supply voltage is the same as the rated luminaire voltage.
- Do not install where the marked operating temperatures exceed the ignition temperature of the hazardous atmosphere.
- Do not operate in ambient temperatures above those indicated on the luminaire nameplate.
- Keep lens tightly closed when in operation.

CAUTION:

THIS PRODUCT MUST BE INSTALLED IN ACCORDANCE WITH THE APPLICABLE INSTALLATION CODE BY A PERSON FAMILIAR WITH THE CONSTRUCTION AND OPERATION OF THE PRODUCT AND THE HAZARDS INVOLVED

ATTENTION-RISQUE D'INCENDIE:

CE PRODUIT DOIT ÊTRE INSTALLÉ SELON LE CODE D'INSTALLATION PERTINENT, PAR UNE PERSONNE QUI CONNAÎT BIEN LE PRODUIT ET SON FONCTIONNEMENT AINSI QUE LES RISQUES INHÉRENTS

MIN 90°C SUPPLY CONDUCTORS REQUIRED

INSTALLATION STEPS

Refer to the following diagram when you install the fixture. Two installation methods, directly fix to the mounting surface or fix to a post with a knuckle.

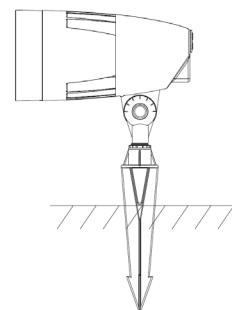
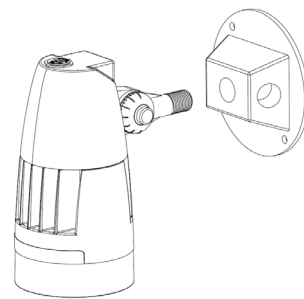
Mounting with Knuckle:

*Note: Electrical power must be turned off prior to installation.

1. Secure service wire or conduit to the wiring compartment cover with 1/2" connector (not provided).
2. Connect white fixture wire to white supply wire, black fixture wire to black supply wire and fixture ground wire to ground. Use wire nuts, crimp-on lugs, or other approved devices to connect all wires, make sure connections are secure and no loose wire strands are sticking out of connectors.
3. Secure wiring compartment cover to fixture with the black, white, and ground connections inside the wiring compartment. Use UL and CUL Listed flexible steel waterproof conduit in trade sizes 1/2 and UL and CUL Listed Water-proof outlet box cover.

Mounting with knuckle and stake (not provided)

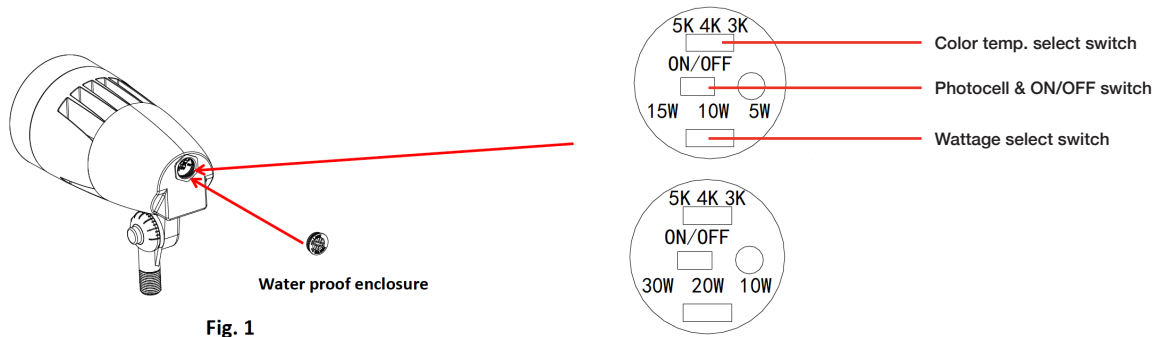
1. Insert the brown power cord through the plastic ground stake and through the side hole.
2. With the ground stake fixed in place the fixture is rotated clockwise.
3. The electrical connections must be secure and no loose wire strands are sticking out of connectors. Electrical connections must be sealed and waterproof.



INSTALLATION STEPS

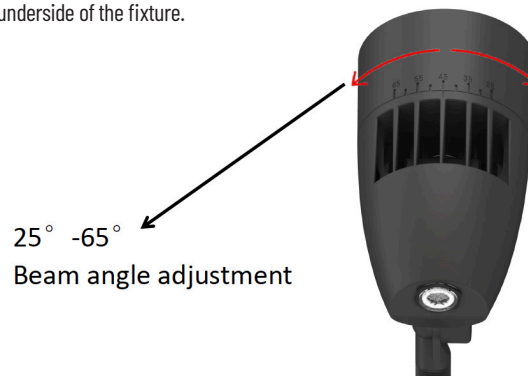
Wattage selection, photocell, and color selection:

1. Unscrew the weatherproof cap before using the wattage, photocell, and color (CCT) selection switches.
2. According to the wattage, photocell, and color (CCT) selectable label shown in Fig. 1, please toggle the DIP switch to select the corresponding wattage and color (CCT).
3. Screw the weatherproof cap into place after selecting the desired settings.



Beam angle adjustment:

1. Loosen the lens set screw located on the underside of the fixture.
2. Select the desired beam angle by rotating the lens left or right.
3. Tighten the set screw located on the underside of the fixture.



Knuckle angle adjustment:

1. Loosen the screw on the side of the knuckle.
2. Select the desired angle.
3. Tighten the screw on the side of the knuckle.

After installation, please:

Check whether the lighting fixture is firmly fixed.

Check whether wires are connected correctly.

At last, turn on the power, and check if the lighting fixture works well.

If not, please turn off the power and email info@tam-liteusa.com for assistance.