

INSTALLATION

MODEL	INPUT VOLTAGE	POWER FACTOR	WATTAGE	INPUT CURRENT
CYCLEDCSBZ	120-277V AC	≥0.9	20W	0.32A

1. Introduction

This LED Wall-Packs light uses the latest in solid state lighting technology for long life, low maintenance, and high efficiency.

An internal power-factor-corrected switch-mode supply allows it to be used from any nominal 120V-277V, 50/60Hz AC supply without any variation in light output.

Suitable for use in the following locations:

- Ambient Temp: -20~+40°C
- Wet Locations

Note: Save these instructions for future reference.

**2. Installation****WARNING:**

TO AVOID THE RISK OF FIRE, OR ELECTRIC SHOCK, THIS PRODUCT SHOULD BE INSTALLED, INSPECTED, AND MAINTAINED BY A QUALIFIED ELECTRICIAN ONLY, IN ACCORDANCE WITH ALL APPLICABLE ELECTRICAL CODES.

Warning:

To avoid electric shock:

- Be certain electrical power is OFF before and during installation and maintenance.
- Luminaire must be connected to a wiring system with an equipment-grounding.

Warning:

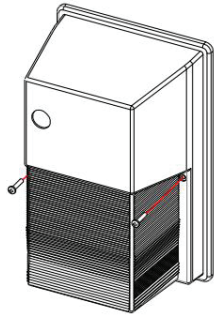
To avoid explosion:

- Make sure the supply voltage is the same as the rated luminaire voltage.
- Do not operate in ambient temperatures above those indicated on the luminaire nameplate.

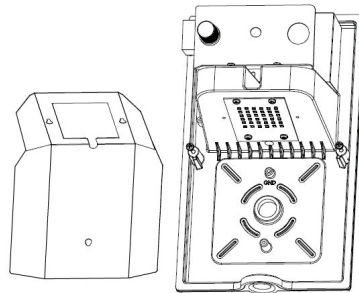
For supply connections use wire rated for at least 90°C.

INSTALLATION

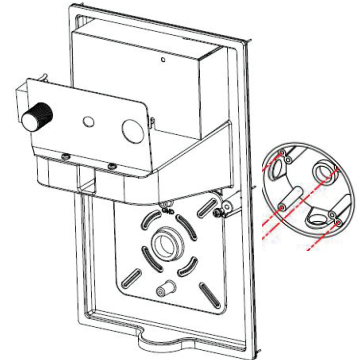
Installation Steps:



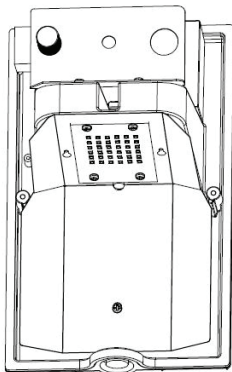
Step 1: Turn on the screws on both sides of the lamp shade, then take off the lamp shade.



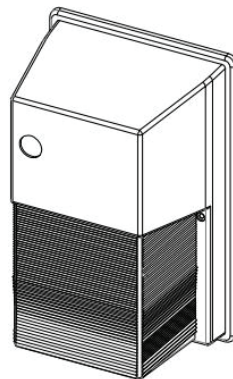
Step 2: Loosening the two screws as shown in the picture, take off the driver box.



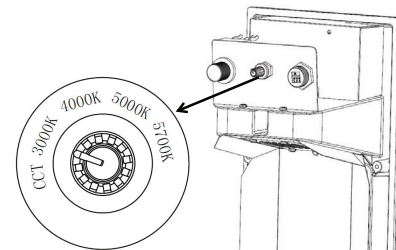
Step 2: Using tools to open the installation position of Junctions Box, then fix the lamp on Junctions Box.



Step 4: The driver box back to its original position.



Step 5: Install shade.



CCT tunable (Optional)

Diagrams and Methods of CCT Selectable Function:

Please screw the knob cap to select the corresponding CCT.

After installation, please:

Check whether the lighting fixture is firmly fixed.

Check whether wires are connected correctly.

At last, turn on the power, and check if the lighting fixture works well. If not, please turn off the power and contact with local dealer.