



CONTRACTOR:	
PROJECT:	DATE:
PREPARED BY:	MODEL#:

**DESCRIPTION**



**RHR Series**

Thermoplastic Wet Location LED Remote Heads



**FEATURES AND SPECIFICATIONS**

**Construction**

Weatherproof Thermoplastic- White Housing

**Electrical**

Rated 3-12VDC input, 1W for single head, 2W for double heads.

**Installation**

Universal mounting base plate included with mounting hardware. Distance of maximum run is determined by system voltage, wire gauge and total maximum wattage on the run. Suitable for wall or ceiling mount.

**Optics**

Polycarbonate lens

**Dimming**

Non-dimming

**Compliance**

Meets UL 924, cULus, NFPA 101 Life Safety Code, NEC, OSHA, Local and State Codes

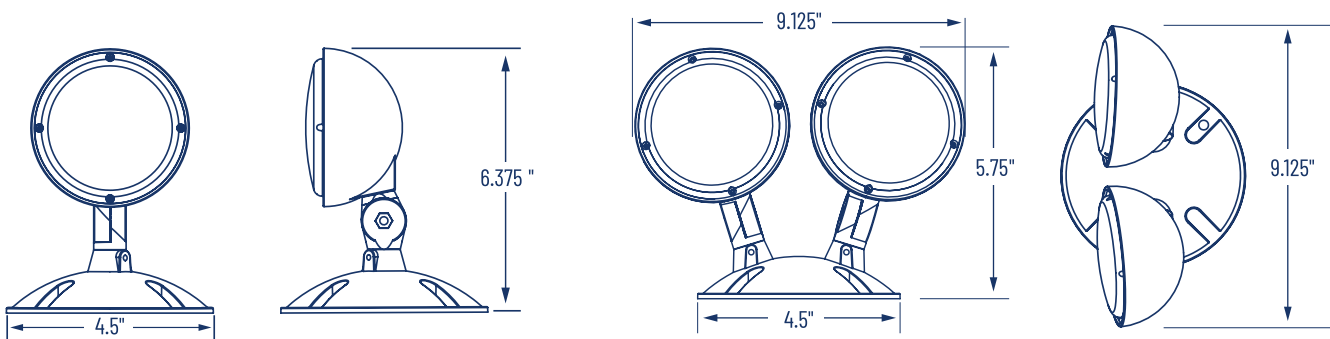
**Location Rating**

Suitable for wet locations

**Warranty**

Guaranteed for three years from the purchase date of the product, against mechanical defects in manufacturing.

**LINE DRAWING**



APPLICATION AND PERFORMANCE SPECIFICATION IS SUBJECT TO CHANGE WITHOUT NOTIFICATION



CONTRACTOR:	
PROJECT:	DATE:
PREPARED BY:	MODEL#:

## ORDERING INFORMATION

EXAMPLE: RHRI-MULTI-WP

SERIES	# OF HEADS	VOLTAGE	HOUSING
RHR	[ 1 ] : 1 head	[ -MULTI ] : Multi-Volt	[ -WP ] : Weatherproof Plastic (White)
	[ 2 ] : 2 heads		

## GENERAL INFORMATION

SERIES	# OF HEADS	VOLTAGE	TOTAL WATTAGE
RHR	1 head	3-12V Volts	1 Watts
	2 heads		2 Watts

## COMPATIBLE SERIES

LXP-RC	LXPC-RC	EXDC-RC	EXWTC-RC
ESLR-1RC	LSR-1RC	LXWTC-RC	-