



CONTRACTOR:	
PROJECT:	DATE:
PREPARED BY:	MODEL#:

DESCRIPTION



DRFG Series

The DRFG series offers recessed LED gimbal trims in 4" and 6" sizes that are designed to fit in most recessed standard and shallow housings. Ideal for both remodel or new construction applications these trims can be rotated 22 degrees vertically and 355 degrees horizontally to provide optimal lighting angles. The LED retrofit comes with disconnect screw-in base lead for easy installation into standard incandescent sockets.



CONSTRUCTION

Construction

One-piece die cast Aluminum body functions as a heat sink for the LED

Electrical

120v

Retrofit Connector

E26 medium screw-base included

Gimbal

Can be rotated 22° vertically and 355° horizontally

Dimming

Triac dimming, 5-100%

Listings

UL listed to US and Canadian safety standards. Damp location rated. Certified under ASTM-E283 for Airtight Construction. (Note, unit can only be considered IC rated if used in approved IC rated housing.)

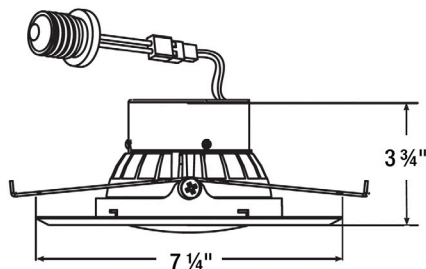
Warranty

5-year limited warranty.

LINE DRAWING

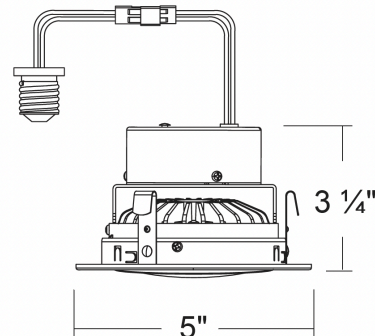
DRFG56

Accommodates most 5" and 6" standard and shallow housings
Mounting Style: Torsion springs



DRFG4

Accommodates most 4" housings
Mounting Style: Tension clips



APPLICATION AND PERFORMANCE SPECIFICATION IS SUBJECT TO CHANGE WITHOUT NOTIFICATION



CONTRACTOR:	
PROJECT:	DATE:
PREPARED BY:	MODEL#:

ORDERING INFORMATION

EXAMPLE: DRFG4-3

SERIES	SIZE	COLOR TEMP	FINISH
DRFG	[4] : 4" [56] : 5/8"	[-3] : 3000K [-4] : 4000K	[BLANK] : White

TECHNICAL SPECS

ELECTRICAL SPECIFICATIONS	DRFG56	DRFG4
Input Voltage	120V	120V
Input Power	13W	9W
Lumens	950	640
Color Temperature	3000K / 4000K	3000K / 4000K
Operating temperature	-30°C~40°C (-22°F~104°F)	-30°C~40°C (-22°F~104°F)
Frequency	50-60Hz	50-60Hz
CRI	>90	>90
LED Lifespan	36,000 HRS	36,000 HRS
Dimmable	5-100% 120V Only	5-100% 120V Only
Recommended dimmer	Electronic low voltage	Electronic low voltage

APPROVED DIMMER LIST

MANUFACTURER	MODEL	DIMMING RATE
Cooper	DLC03P	10 - 100%
Leviton	1A1505 / 1C1605	10 - 100%
Leviton	6631 / 6633	10 - 100%
Lutron	CT-603PG / CT-600PR	10 - 100%
Lutron	DV-600PR / DV603PG	10 - 100%
Lutron	DVW-603PGH / DVCL-153P	10 - 100%
Lutron	MACL-153M / TGCL-153P	10 - 100%
Lutron	S-600PR / S-2-LH	10 - 100%

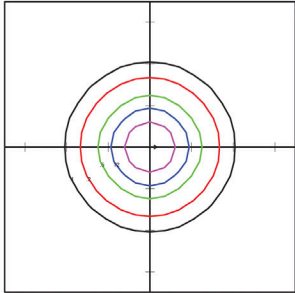
APPLICATION AND PERFORMANCE SPECIFICATION IS SUBJECT TO CHANGE WITHOUT NOTIFICATION



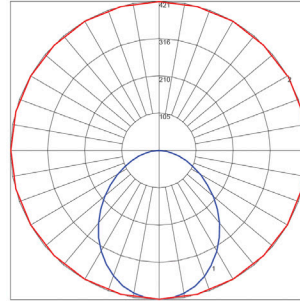
CONTRACTOR:	
PROJECT:	DATE:
PREPARED BY:	MODEL#:

PHOTOMETRICS

DRFG56

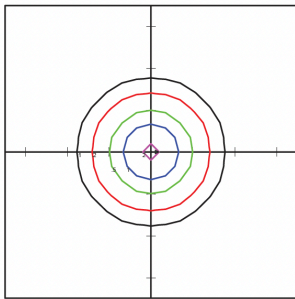


TAMLITE LIGHTING
DRFG56-3
 Horizontal Footcandles
 Scale: Hash = 10 Ft.
 Light Loss Factor = 1.00
 Lumens Per Lamp = 1033.6
 Total Lamp Lumens = 1033.6
 Mounting Height = 10.00 Ft
 Maximum Calculated Value = 4.21 Fc
 Arrangement: Single

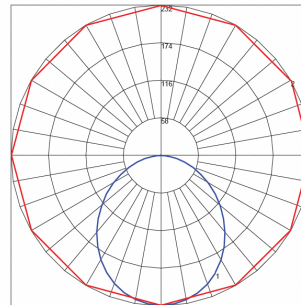


Polar Graph
 Maximum Candela = 420.801
 Located at Horizontal Angle = 0
 Vertical Angle = 0
 Vertical Plane Through Horizontal Angles
 (0-180)
 Horizontal Cone Through Vertical Angle
 (0)

DRFG4



TAMLITE LIGHTING
DRFG4-3
 Horizontal Footcandles
 Scale: Hash = 10 Ft.
 Light Loss Factor = 1.00
 Lumens Per Lamp = 611.99
 Total Lamp Lumens = 611.99
 Mounting Height = 10.00 Ft
 Maximum Calculated Value = 2.32 Fc
 Arrangement: Single



Polar Graph
 Maximum Candela = 231.671
 Located at Horizontal Angle = 0
 Vertical Angle = 0
 Vertical Plane Through Horizontal Angles
 (0-180)
 Horizontal Cone Through Vertical Angle
 (0)