



CONTRACTOR:	
PROJECT:	DATE:
PREPARED BY:	MODEL#:

DESCRIPTION



DDSLED SERIES

The DDSLED Dusk to Dawn is an excellent choice where an economical, dependable light source with dusk to dawn operation is desired.



FEATURES & SPECIFICATIONS

Intended Use

This fixture is ideal for use as security lighting in applications such as yards, alley ways, and commercial building perimeters.

Construction

Durable ADC12 aluminum housing with gray powder coat finish.

Optics

Precision molded polycarbonate optical lens is engineered for superior light area distribution. The DDSLED series has a beam spread of 103°.

Electrical

Long-life LED's PCB mounted, coupled with high-efficiency drivers, provide extended service life. The DDSLED delivers up to 125 lumens per watt. Thermally protected driver standard.

Installation

Fixture is wall mounted or can be mounted using included arm.

Listings

UL listed to US and Canadian safety standards. Wet location listed. For use in ambient operating temperatures ranging from 40°C~+40°C.

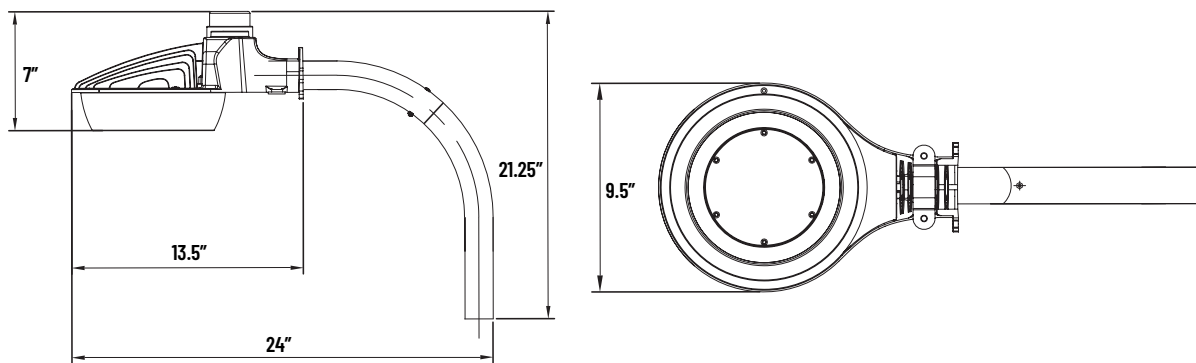
Warranty

5-year limited warranty.

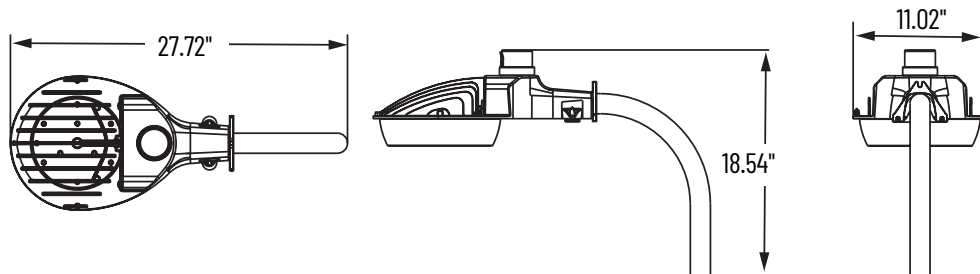
NOTE: Actual performance may differ as a result of end-user environment and application. All values are design or typical values, measured under laboratory conditions at 25 °C. Specifications subject to change without notice.

LINE DRAWINGS

50W



80W



APPLICATION AND PERFORMANCE SPECIFICATION IS SUBJECT TO CHANGE WITHOUT NOTIFICATION



CONTRACTOR:	
PROJECT:	DATE:
PREPARED BY:	MODEL#:

ORDERING INFORMATION

Example: DDSLED305K

Series	Wattage	Color Temp.
DDSLED	[50]: 50W [80]: 80W	[5K]: 5000K

PERFORMANCE SPECIFICATIONS

SERIES	LUMENS @ 5000K	LPW @ 5000K	MAX. WATTAGE
DDSLED505K	6700lm	134 Lm/W	50W
DDSLED805K	9700lm	124 Lm/W	80W

GENERAL DRIVER INFORMATION

ELECTRICAL SPECIFICATIONS	50W		80W	
	120V	277V	120V	277V
Input Voltage (V AC)	100V-277V (± 10%)			
Frequency Range (Hz)	50-60Hz (+/- 10%)			
Input Current Max (A) Per Driver	0.4A	0.4A	0.65A	0.65A
Power Factor @ Full Load	>0.9			
CRI	>75			

ENVIRONMENTAL SPECS

50W/80W	
Ambient Range	-40°C to 60°C
EMI Compliance	FCC Part 15 ANSI C63.4:2009 Class B

APPLICATION AND PERFORMANCE SPECIFICATION IS SUBJECT TO CHANGE WITHOUT NOTIFICATION