

CONTRACTOR:	
PROJECT:	DATE:
PREPARED BY:	MODEL#: CMS2180 SERIES

SERIES SPECIFICATIONS



CMS2180 SERIES

The CMS2180 series of security lights provides an energy efficient way to provide safety and security to your home.



FEATURES & SPECIFICATIONS

Intended Use:

LED security floodlights are ideal for entrances, walkways, yards, driveways, and patios.

Construction:

The body is constructed of durable polycarbonate and aluminum.

Optics:

High density polyethylene lenses provide optimum light while reducing glare.

Electrical:

70% lumen maintenance at 40,000hrs. Long-life LEDs, coupled with high-efficiency drivers, provide extended service life. Thermally protected driver standard.

Lumen Output: 2200lm

Color Temperature: 4000K

Installation:

Fixture mounts to a recessed junction box on wall or ceiling. Adjustable heads allow for precision aiming.

Listings:

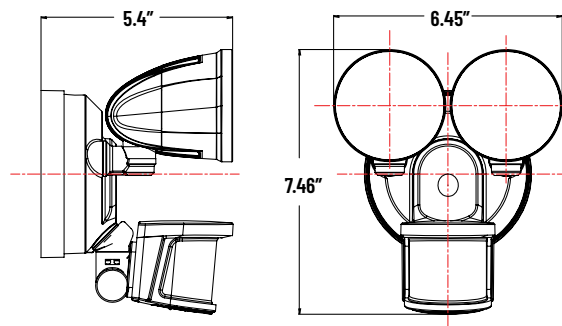
ETL listed to US and Canadian safety standards. Wet location listed. For use in ambient operating temperatures ranging from -20°C to 40°C.

Warranty:

3-year limited warranty. Complete warranty terms located at: www.tamliteusa.com/CustomerResources/Terms_and_conditions.asp

NOTE: Actual performance may differ as a result of end-user environment and application. All values are design or typical values, measured under laboratory conditions at 25 °C. Specifications subject to change without notice.

LINE DRAWINGS



PERFORMANCE SPECIFICATIONS

Example: CMS2180BZ

SERIES	NO. OF HEADS	DETECTION	COLOR
CMS	[2]: 2 Heads	[180]: 180°	[BZ]: Bronze [WH]: White