



CONTRACTOR:	
PROJECT:	DATE:
PREPARED BY:	MODEL#: CMS2 SERIES

**SERIES SPECIFICATIONS**



**CMS2 SERIES**

The CMS2 series of security lights provides an energy efficient way to provide safety and security to your home.



**FEATURES & SPECIFICATIONS**

**Intended Use**

LED security floodlights are ideal for entrances, walkways, yards, driveways, and patios.

**Construction**

The body is constructed of durable polycarbonate and aluminum.

**Optics**

High density polyethylene lenses provide optimum light while reducing glare.

**Electrical**

70% lumen maintenance at 40,000hrs. Long-life LEDs, coupled with high-efficiency drivers, provide extended service life. Thermally protected driver standard.

**Lumen Output**

2200lm

**Input Voltage**

120 VAC

**Installation**

Fixture mounts to a recessed junction box on wall or ceiling. Adjustable heads allow for precision aiming.

**Listings**

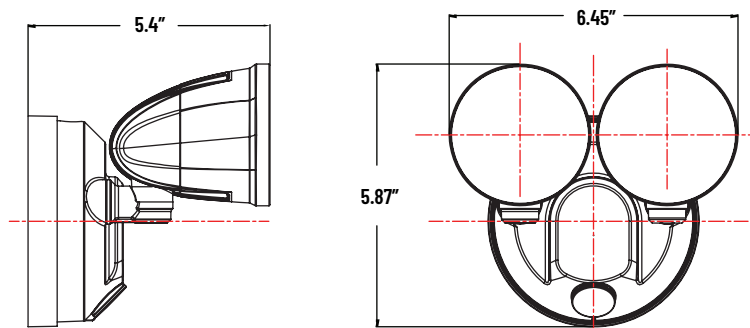
ETL listed to US and Canadian safety standards. Wet location listed. For use in ambient operating temperatures ranging from -20°C to 40°C.

**Warranty**

3-year limited warranty. Complete warranty terms located at: [www.tamliteusa.com/CustomerResources/Terms\\_and\\_conditions.asp](http://www.tamliteusa.com/CustomerResources/Terms_and_conditions.asp)

**NOTE:** Actual performance may differ as a result of end-user environment and application. All values are design or typical values, measured under laboratory conditions at 25 °C. Specifications subject to change without notice.

**LINE DRAWINGS**



**PERFORMANCE SPECIFICATIONS**

Example: CMS2BZ

SERIES	NO. OF HEADS	COLOR
CMS	[ 2 ] : 2 Heads	[ BZ ] : Bronze [ WH ] : White

APPLICATION AND PERFORMANCE SPECIFICATION IS SUBJECT TO CHANGE WITHOUT NOTIFICATION