



CONTRACTOR:	
PROJECT:	DATE:
PREPARED BY:	MODEL#:

DESCRIPTION



JBD-5CS Series

The JBD series recessed down light is designed to retrofit into an electrical junction box and features a color temperature selection ranging from 2700K all the way to 5000K. This multi-application fixture, available in 4" and 6" is designed to be a one stop solution to junction box retrofit needs.



PHYSICAL SPECIFICATIONS

Installation

Junction box mount ideal for retrofit and new construction applications.

Construction

Stamped aluminum white painted body

Optics

Polycarbonate lens

Dimming

Triac dimming 10-100% on non-occupancy sensor models. Models equipped with an occupancy sensor are not dimmable.

Operating Temperature

-20°C - 40°C

Warranty

5-year limited warranty.

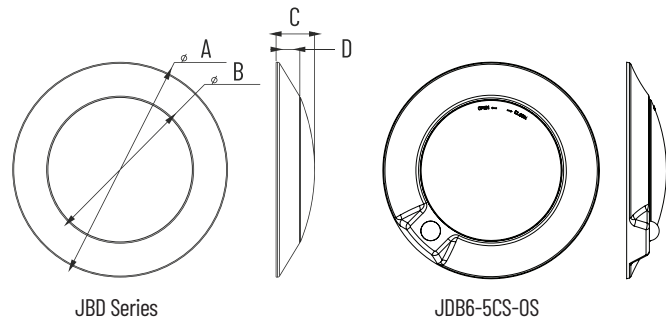
Listings

ETL listed to US and Canadian safety standards. Wet location listed. Closet Rated - Conforms to NEC 410.16 (A) (3) and 410.16 (C)

NOTE: Actual performance may differ as a result of end-user environment and application. All values are design or typical values, measured under laboratory conditions at 25 °C. Specifications subject to change without notice

LINE DRAWING

SERIES	SIZE	A	B	C	D
JBD4	4"	5.98"	4.17"	1.22"	0.71"
JBD6	6"	7.48"	5.04"	1.34"	0.83"



APPLICATION AND PERFORMANCE SPECIFICATION IS SUBJECT TO CHANGE WITHOUT NOTIFICATION



CONTRACTOR:	
PROJECT:	DATE:
PREPARED BY:	MODEL#:

ORDERING INFORMATION

Example: JBD6-5CS

SERIES	SIZE	COLOR TEMP	OPTIONS	HOUSING COLOR
JBD	[4] : 4" [6] : 6"	[-5CS] : 27K/30K/35K/40K/50K	[BLANK] : No Occupancy Sensor [-OS] : Occupancy PIR Sensor (On/Off)*	[BLANK] : White [-BZ] : Bronze [-BK] : Black

*Occupancy Sensor only available on 6" with white house.
Timer can be adjusted via dip switch to 60/180/300 seconds (1/3/5 minutes).

LIGHTING SPECIFICATIONS

SERIES	COLOR TEMP	LUMENS	LPW	WATTAGE	VOLTAGE	CRI
JBD6-5CS	5000K	1037	69	15	120	90
	4000K	1122	75			
	3500K	1118	75			
	3000K	1064	71			
	2700K	990	66			
JBD4-5CS	5000K	779	71	11	120	90
	4000K	833	76			
	3500K	829	75			
	3000K	792	72			
	2700K	749	68			
JBD6-5CS-OS	5000K	837	56	15	120	90
	4000K	948	63			
	3500K	961	64			
	3000K	902	60			
	2700K	835	56			

APPLICATION AND PERFORMANCE SPECIFICATION IS SUBJECT TO CHANGE WITHOUT NOTIFICATION

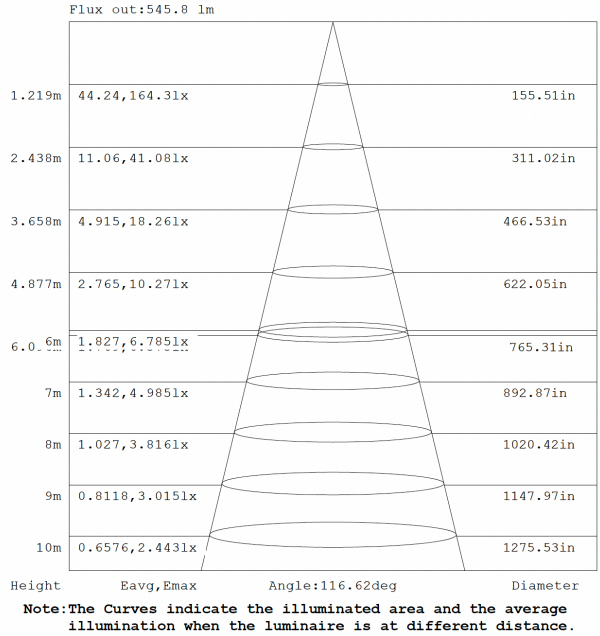
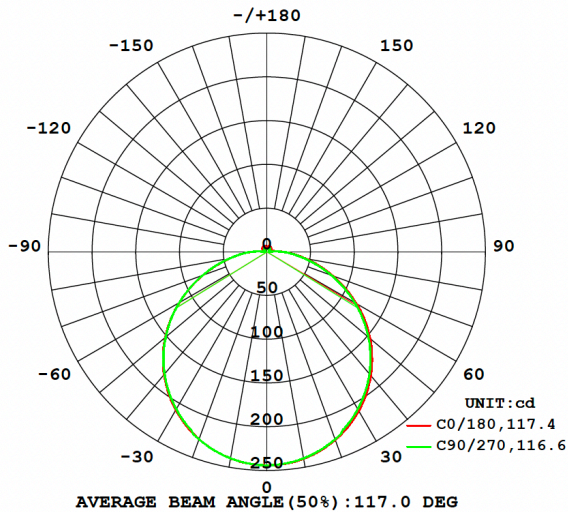


CONTRACTOR:		DATE:	
PROJECT:		MODEL#:	
PREPARED BY:			

PHOTOMETRICS

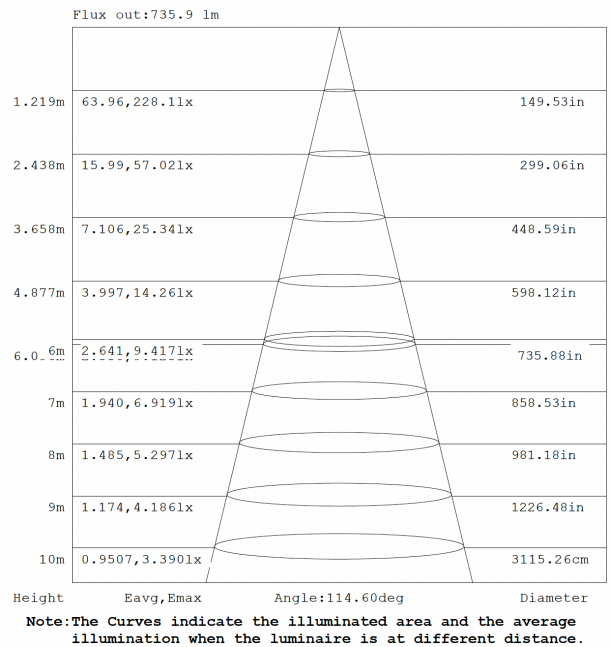
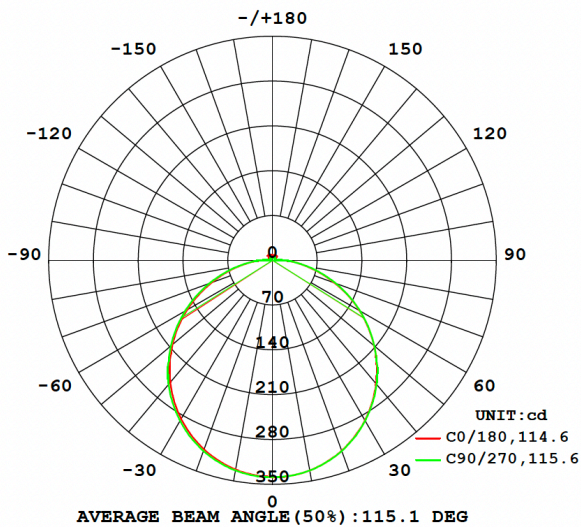
JB04-5CS @3000K

LUMINOUS INTENSITY DISTRIBUTION DIAGRAM



JB06-5CS @3000K

LUMINOUS INTENSITY DISTRIBUTION DIAGRAM



APPLICATION AND PERFORMANCE SPECIFICATION IS SUBJECT TO CHANGE WITHOUT NOTIFICATION

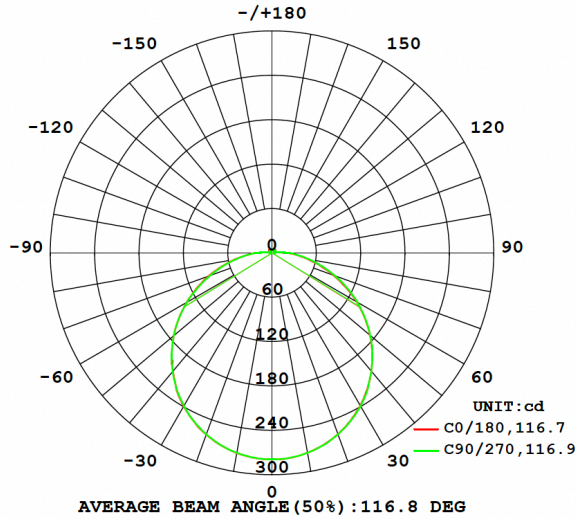


CONTRACTOR:	
PROJECT:	DATE:
PREPARED BY:	MODEL#:

PHOTOMETRICS

JBD6-5C @3000K

LUMINOUS INTENSITY DISTRIBUTION DIAGRAM



Flux out: 631.5 lm

Height	Eavg, Emax	Angle: 116.72deg	Diameter
1.219m	48.82, 188.01x		155.79in
2.438m	12.21, 46.991x		311.59in
3.658m	5.425, 20.891x		467.39in
4.877m	3.051, 11.751x		623.19in
6.096m	2.016, 7.7611x		766.72in
7m	1.481, 5.7021x		894.51in
8m	1.134, 4.3661x		1022.29in
9m	0.8960, 3.4491x		1150.08in
10m	0.7257, 2.7941x		1277.87in

Note: The Curves indicate the illuminated area and the average illumination when the luminaire is at different distance.



CONTRACTOR:	
PROJECT:	DATE:
PREPARED BY:	MODEL#:

COMPATIBLE DIMMER LIST

NO	BRAND	DIMMER MODEL NUMBER
1	LUTRON	DVCL-153P
2		MACL-153M
3		SCL-153P
4		STCL-153M
5	LEVITON	6672
6		6674
7		6681
8		6613-P
9		6631-L
10		6633-P
11		IPI06-1LZ
12		VPE06

APPLICATION AND PERFORMANCE SPECIFICATION IS SUBJECT TO CHANGE WITHOUT NOTIFICATION