



CONTRACTOR:	
PROJECT:	DATE:
PREPARED BY:	MODEL#:

DESCRIPTION



RHR Series

Thermoplastic Wet Location LED Remote Heads



FEATURES AND SPECIFICATIONS

Construction

Weatherproof Thermoplastic- White Housing

Electrical

Rated 3-12VDC input, 1W for single head, 2W for double heads.

Installation

Universal mounting base plate included with mounting hardware. Distance of maximum run is determined by system voltage, wire gauge and total maximum wattage on the run. Suitable for wall or ceiling mount"

Optics

Polycarbonate lens

Dimming

Non-dimming

Compliance

Meets UL 924, cULus, NFPA 101 Life Safety Code, NEC, OSHA, Local and State Codes

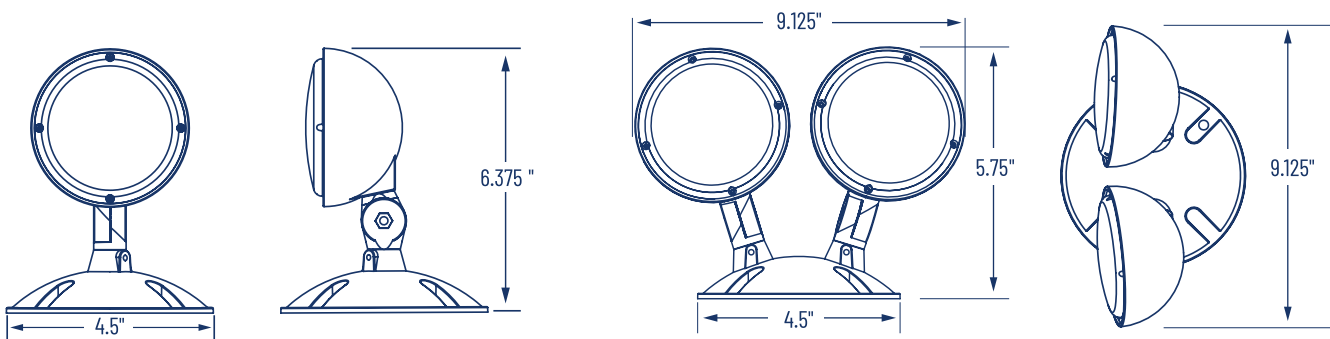
Location Rating

Suitable for wet locations

Warranty

Guaranteed for three years from the purchase date of the product, against mechanical defects in manufacturing.

LINE DRAWING



APPLICATION AND PERFORMANCE SPECIFICATION IS SUBJECT TO CHANGE WITHOUT NOTIFICATION



CONTRACTOR:	
PROJECT:	DATE:
PREPARED BY:	MODEL#:

ORDERING INFORMATION

EXAMPLE: RHRI-MULTI-WP

SERIES	# OF HEADS	VOLTAGE	HOUSING
RHR	[1] : 1 head	[-MULTI] : Multi-Volt	[-WP] : Weatherproof Plastic (White)
	[2] : 2 heads		

GENERAL INFORMATION

SERIES	# OF HEADS	VOLTAGE	TOTAL WATTAGE
RHR	1 head	3-12V Volts	1 Watts
	2 heads		2 Watts

COMPATIBLE SERIES

LXP-RC	LXPC-RC	EXDC-RC	EXWTC-RC
ESLR-1RC	LSR-1RC	LXWTC-RC	-