



CONTRACTOR:	
PROJECT:	DATE:
PREPARED BY:	MODEL#:

DESCRIPTION



SLNLED Series

The SLNLED-3CS narrow strip series is suitable for general purpose lighting in a wide variety of environments. Featuring our new Wattage and Color Select technology, this fixture is a great fit for any commercial, industrial, retail or cove lighting applications.



FEATURES & SPECIFICATIONS

Construction

The body is constructed of 24 gauge, made in USA commercial grade steel with hot dip galvanized finish (6.5µm on both sides).
Finish: Paint after fabrication (PAF) of galvanized body adds high resistance to rust over its lifetime.

Optics

Acrylic lens diffuse the LED source pixilation, without compromising light output.

Input Voltage

120-277VAC

Dimming

LED drivers deliver dimming from a 0-10V control signal. Dims to 10% standard.

Installation

This fixture is surface mounted as standard but may be suspended. This fixture has numerous knockouts for easy installation. Not to be used in an unconditioned space.

Listing

UL listed to US and Canadian safety standards. Damp location listed. Fixtures are Assembled in America. For use in ambient operating temperatures ranging from -40°C to 40°C.

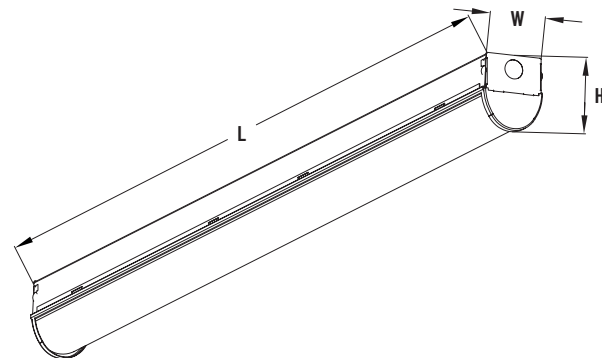
Warranty

Guaranteed for five years from the purchase date of the product, against mechanical defects in manufacturing.

NOTE: Actual performance may differ as a result of end-user environment and application. All values are design or typical values, measured under laboratory conditions at 25 °C. Specifications subject to change without notice.

LINE DRAWING

DIMENSION	L	W	H
2FT	24"	2.5"	3.38"
4FT	48"	2.5"	3.38"
8FT	96"	2.5"	3.38"



APPLICATION AND PERFORMANCE SPECIFICATION IS SUBJECT TO CHANGE WITHOUT NOTIFICATION



CONTRACTOR:	
PROJECT:	DATE:
PREPARED BY:	MODEL#:

ORDERING INFORMATION

Example: SLNLED4-WSD-0-3CS

SERIES	SIZE	WATTAGE	VOLTAGE	LENS	COLOR TEMP	OPTIONS	FINISH
SLNLED	[2] : 2 [4] : 4* [8] : 8*	[WS]: Wattage Selectable	[0] : 120-277VAC	[0] : Opaque Lens	[-3CS] : 3500/4000/5000K Color Select	[BLANK] : No Option [OSI] : Internal Occupancy PIR Sensor (On/Off) [EM] : 10% Emergency back-up	[BLANK] : White

*EM Options only available on 4ft and 8ft models.

PERFORMANCE SPECIFICATIONS

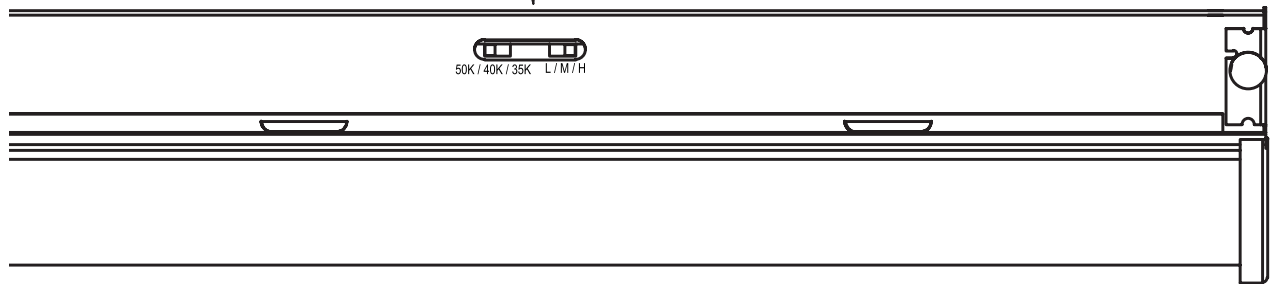
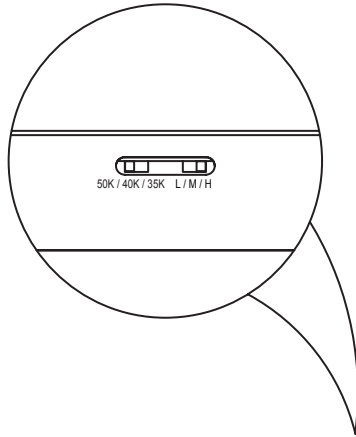
Series	CRI	Wattage	3500K		4000K		5000K	
			Lumens	LPW	Lumens	LPW	Lumens	LPW
SLNLED2	80+	9	1277	136	1320	143	1321	141
		14	1859	136	2012	150	1924	141
		18	2516	138	2666	149	2608	143
SLNLED4		27	4122	152	4237	160	4142	154
		38	5646	146	5886	157	5669	148
		47	6660	141	7025	154	6688	143
SLNLED8		45	7062	158	7247	166	7117	160
		55	8629	156	8910	164	8718	158
		62	9508	153	9860	163	9613	155

APPLICATION AND PERFORMANCE SPECIFICATION IS SUBJECT TO CHANGE WITHOUT NOTIFICATION



CONTRACTOR:	
PROJECT:	DATE:
PREPARED BY:	MODEL#:

COLOR/WATTAGE SELECT SWITCH



APPLICATION AND PERFORMANCE SPECIFICATION IS SUBJECT TO CHANGE WITHOUT NOTIFICATION