



| | |
|--------------|---------|
| CONTRACTOR: | |
| PROJECT: | DATE: |
| PREPARED BY: | MODEL#: |

DESCRIPTION



SLNLED Series

The SLNLED-3CS narrow strip series is suitable for general purpose lighting in a wide variety of environments. Featuring our new Wattage and Color Select technology, this fixture is a great fit for any commercial, industrial, retail or cove lighting applications.



FEATURES & SPECIFICATIONS

Construction

The body is constructed of 24 gauge, made in USA commercial grade steel with hot dip galvanized finish (6.5µm on both sides).
Finish: Paint after fabrication (PAF) of galvanized body adds high resistance to rust over its lifetime.

Optics

Acrylic lens diffuse the LED source pixilation, without compromising light output.

Input Voltage

120-277VAC

Dimming

LED drivers deliver dimming from a 0-10V control signal. Dims to 10% standard.

Installation

This fixture is surface mounted as standard but may be suspended. This fixture has numerous knockouts for easy installation. Not to be used in an unconditioned space.

Listing

UL listed to US and Canadian safety standards. Damp location listed. Fixtures are Assembled in America. For use in ambient operating temperatures ranging from -40°C to 40°C.

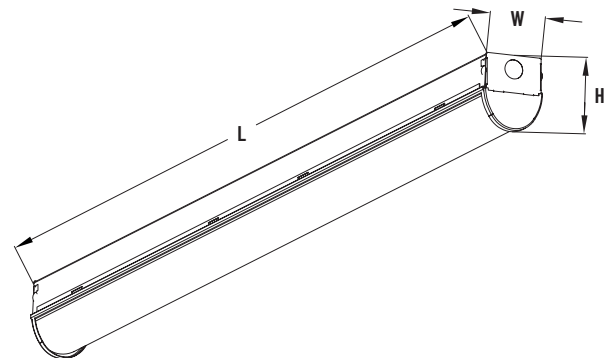
Warranty

Guaranteed for five years from the purchase date of the product, against mechanical defects in manufacturing.

NOTE: Actual performance may differ as a result of end-user environment and application. All values are design or typical values, measured under laboratory conditions at 25 °C. Specifications subject to change without notice.

LINE DRAWING

| DIMENSION | L | W | H |
|-----------|-----|------|-------|
| 2FT | 24" | 2.5" | 3.38" |
| 4FT | 48" | 2.5" | 3.38" |
| 8FT | 96" | 2.5" | 3.38" |



APPLICATION AND PERFORMANCE SPECIFICATION IS SUBJECT TO CHANGE WITHOUT NOTIFICATION



| | |
|--------------|---------|
| CONTRACTOR: | |
| PROJECT: | DATE: |
| PREPARED BY: | MODEL#: |

ORDERING INFORMATION

Example: SLNLED4-WSD-0-3CS

| SERIES | SIZE | WATTAGE | VOLTAGE | LENS | COLOR TEMP | OPTIONS | FINISH |
|--------|---------------------------------|--------------------------|------------------|-------------------|---------------------------------------|--|-----------------|
| SLNLED | [2] : 2 [4] : 4* [8] : 8* | [WS]: Wattage Selectable | [0] : 120-277VAC | [0] : Opaque Lens | [-3CS] : 3500/4000/5000K Color Select | [BLANK] : No Option [OS] : External Occupancy PIR Sensor (On/Off) [EM] : 10% Emergency back-up | [BLANK] : White |

*EM Options only available on 4ft and 8ft models.

PERFORMANCE SPECIFICATIONS

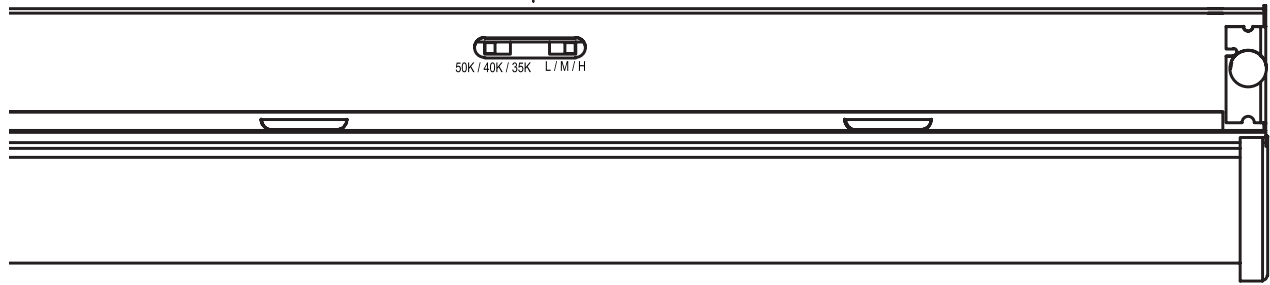
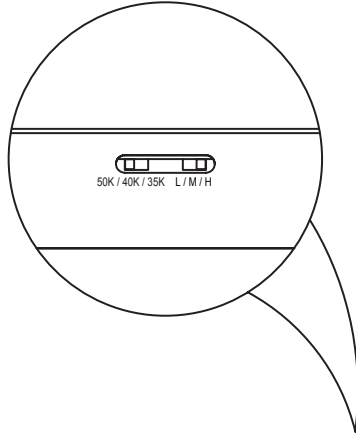
| Series | CRI | Wattage | 3500K | | 4000K | | 5000K | |
|---------|-----|---------|--------|-----|--------|-----|--------|-----|
| | | | Lumens | LPW | Lumens | LPW | Lumens | LPW |
| SLNLED2 | 80+ | 10 | 1282 | 136 | 1325 | 143 | 1329 | 142 |
| | | 14 | 1857 | 135 | 1944 | 145 | 1828 | 142 |
| | | 18 | 2429 | 132 | 2578 | 144 | 2526 | 138 |
| SLNLED4 | | 45 | 6300 | 132 | 6630 | 144 | 6330 | 134 |
| | | 38 | 5460 | 136 | 5670 | 147 | 5475 | 138 |
| | | 28 | 3955 | 142 | 4100 | 150 | 4000 | 143 |
| SLNLED8 | | 60 | 8575 | 138 | 8850 | 146 | 8500 | 137 |
| | | 53 | 7570 | 140 | 7740 | 148 | 7530 | 140 |
| | | 42 | 6195 | 144 | 6350 | 150 | 6200 | 144 |

APPLICATION AND PERFORMANCE SPECIFICATION IS SUBJECT TO CHANGE WITHOUT NOTIFICATION



| | |
|--------------|---------|
| CONTRACTOR: | |
| PROJECT: | DATE: |
| PREPARED BY: | MODEL#: |

COLOR/WATTAGE SELECT SWITCH



APPLICATION AND PERFORMANCE SPECIFICATION IS SUBJECT TO CHANGE WITHOUT NOTIFICATION