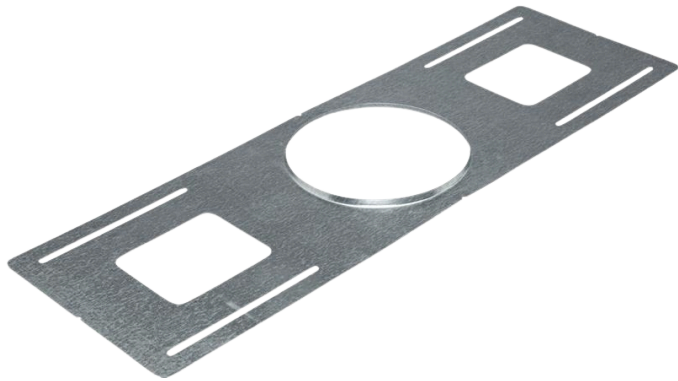




CONTRACTOR:	
PROJECT:	DATE:
PREPARED BY:	MODEL#: ROUGH

DESCRIPTION



ROUGH FLG Series

The 4" and 6" flange rough-in plates provide a guide for electricians and drywall installers to ensure that the lights are placed correctly and at the desired spacing between joists. It is made of durable sheet metal (0.024), is 2' long and fits up to 24" spaced studs.



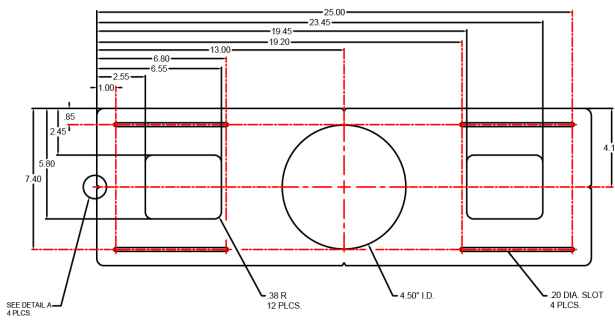
CONSTRUCTION

Material
Galvanized Steel

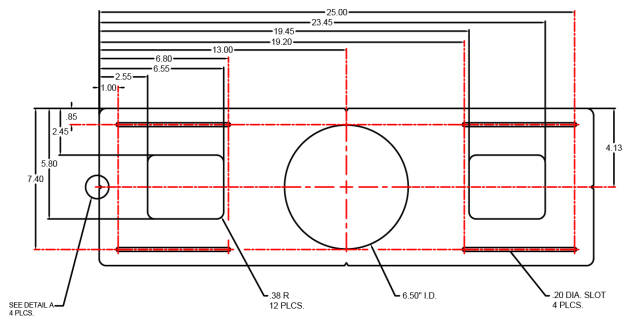
Material Thickness
0.024

LINE DRAWING

ROUGH4FLG



ROUGH6FLG



ORDERING INFORMATION

EXAMPLE: ROUGH4FLG

SERIES	SIZE	CONSTRUCTION
ROUGH	[4] : 4" [6] : 6"	[FLG] : Flange

APPLICATION AND PERFORMANCE SPECIFICATION IS SUBJECT TO CHANGE WITHOUT NOTIFICATION