



CONTRACTOR:	
PROJECT:	DATE:
PREPARED BY:	MODEL#:

**DESCRIPTION**



**DDSLEDWSCS SERIES**

The DDSLEDWSCS wattage & color selectable series is an excellent choice where an economical, dependable light source with dusk to dawn operation is desired.



**FEATURES & SPECIFICATIONS**

**Intended Use**

Outdoor wall-mounted fixture used for perimeter and entry lighting.

**Construction**

Durable ADC12 aluminum housing with gray powder coat finish.

**Optics**

Precision molded polycarbonate optical lens is engineered for superior light area distribution.

**Dimming**

0-10V

**Operating Temperatures**

-40°C~+40°C

**Photocell**

Integrated photocell

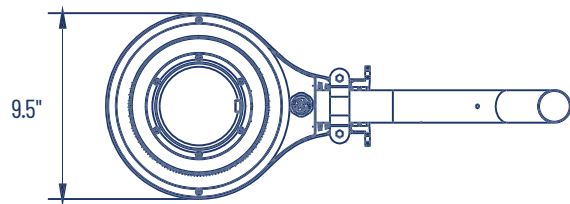
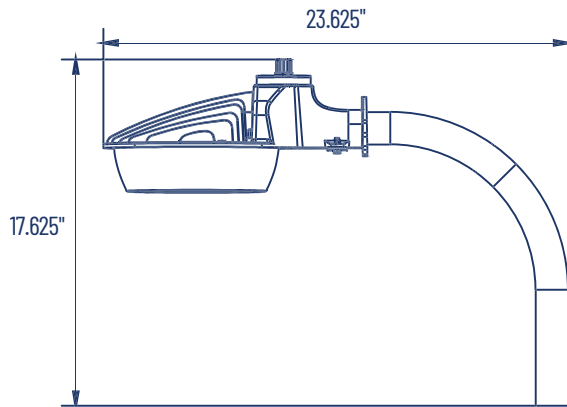
**Listings**

DesignLights Consortium® (DLC) qualified product. Not all versions of this product may be DLC qualified. Please check the DLC Qualified Products List at [www.designlights.org/QPL](http://www.designlights.org/QPL) to confirm which versions are qualified.

**Warranty**

5-year limited warranty.

**LINE DRAWINGS**



APPLICATION AND PERFORMANCE SPECIFICATION IS SUBJECT TO CHANGE WITHOUT NOTIFICATION



CONTRACTOR:	
PROJECT:	DATE:
PREPARED BY:	MODEL#:

**ORDERING INFORMATION**

Example: DDSLEDWSCS

SERIES	WATTAGE	COLOR TEMP.	BODY COLOR
DDSLED	[ WS ]: Selectable 30W/40W/50W	[ CS ]: Selectable 3000K/4000K/5000K	[ Blank ]: Grey

\*Mount arm included

**LIGHTING SPECIFICATIONS**

SERIES	LUMENS	LPW	WATTAGE	VOLTAGE	CRI
DDSLEDWSCS	3900lm/5200lm/6500lm	130 lm/W	30W/40W/50W	100-277V	>70