



CONTRACTOR:	
PROJECT:	DATE:
PREPARED BY:	MODEL#:

DESCRIPTION



ICL Series

Tamlite Lighting's ICL4RATQ 4" LED dedicated IC housing is designed for remodel applications and suitable for use in ceiling where the housing can be direct contact with insulation. Remodel housing install into existing drywall or wood ceiling with no above access. Air tight construction reduces energy costs by reducing the amount of air leakages through the ceiling.



FEATURES & SPECIFICATIONS

Material

Galvanized Steel

Bar Hanger

Adjustable from 13 5/8" to 25" Repositionable 90°

Knockouts

(6) 1/2", (1) 3/4"

For Use With

120/277V LED Retrofit kit

Pryouts

(4) Romex pryout w/ strain relief

Remodel Clips

(4) accommodates 1/2" and 5/8" ceilings

Ceiling Cutout Size

4.22"

Listings

ASTM

Certified under ASTM-E283 for Air Tight construction

Title 24

Meets state of California title 24 requirement.

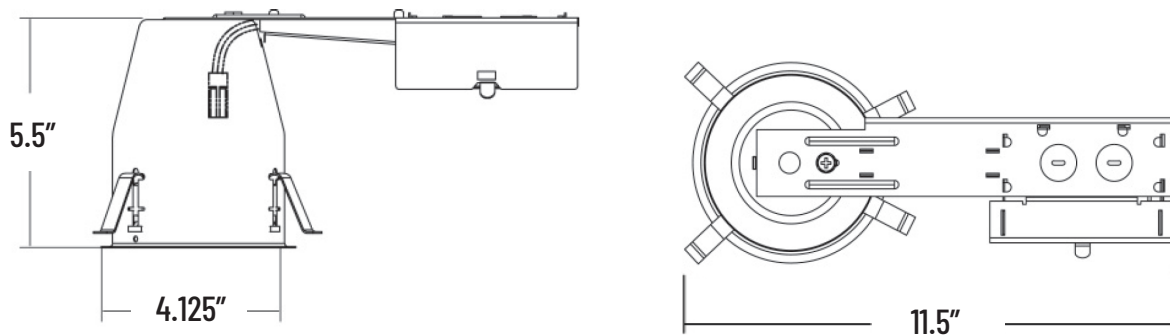
cULus Listed for Feed Through

cULus Listed for Damp Location

Warranty

Guaranteed for one year from the purchase date of the product, against mechanical defects in manufacturing.

LINE DRAWING



APPLICATION AND PERFORMANCE SPECIFICATION IS SUBJECT TO CHANGE WITHOUT NOTIFICATION



CONTRACTOR:	
PROJECT:	DATE:
PREPARED BY:	MODEL#:

ORDERING INFORMATION

Example: ICL4RATQ

SERIES	SIZE	CONSTRUCTION	HOUSING	CONNECTOR
ICL	[4] : 4"	[R] : Remodel	[AT] : Air Tight	[Q] : Quick Connect