



CONTRACTOR:	
PROJECT:	DATE:
PREPARED BY:	MODEL#:

DESCRIPTION



SPLWS Series

Wattage Selectable LED Sports Light

The SPLWS is a wattage selectable LED sports light that is designed to provide even lighting over your outdoor area or sports court.



FEATURES AND SPECIFICATIONS

Intended Use

Sports fields, sports courts , and parks.

Construction

Aluminum

Electrical

120-277v
277-480v

Dimming

0-10v

Operating Temperature

-40° F~113° F

Warranty

5-year limited warranty.

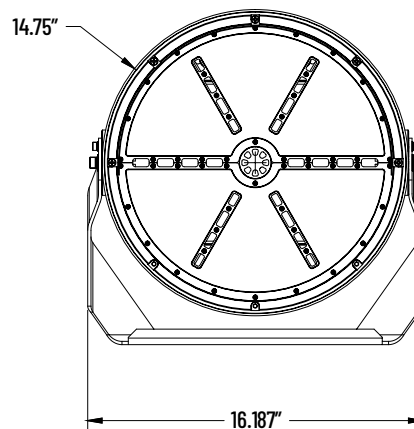
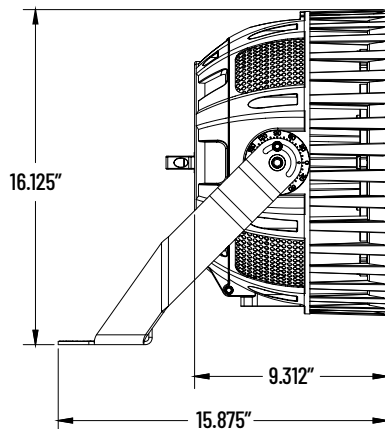
EPA

1.6

Listings

DesignLights Consortium® (DLC) qualified product. Not all versions of this product may be DLC qualified. Please check the DLC Qualified Products List at www.designlights.org/QPL to confirm which versions are qualified.

LINE DRAWING



APPLICATION AND PERFORMANCE SPECIFICATION IS SUBJECT TO CHANGE WITHOUT NOTIFICATION



CONTRACTOR:	
PROJECT:	DATE:
PREPARED BY:	MODEL#:

ORDERING INFORMATION

EXAMPLE: SPLWS5K 30 E YK BK

SERIES	WATTAGE	COLOR TEMP	NEMA TYPE	VOLTAGE	MOUNT	COLOR
SPL	[WS] : 500w,400w,300w	[5K] : 5000K	[30] : NEMA TYPE 4*4 30°	[U] : 120-277V	[YK] : Yoke Mount	[BK] : Black
			[80] : NEMA TYPE 6*6 80°	[E] : 277-480V		

LIGHTING SPECIFICATIONS

SERIES	LUMENS	LPW	WATTAGE	VOLTAGE	CRI
SPLWS5K 30 E YK BK	65000	132.5	500	277-480V	>70
SPLWS5K 30 U YK BK	65000	134.2	500	120-277V	>70
SPLWS5K 80 E YK BK	65000	132.5	500	277-480V	>70
SPLWS5K 80 U YK BK	65000	134.2	500	120-277V	>70

ACCESSORIES

**SPLWS VISOR
0583-5966**





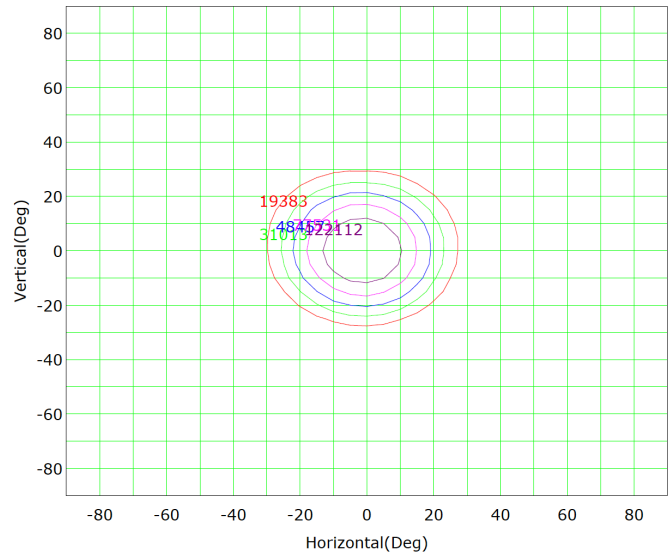
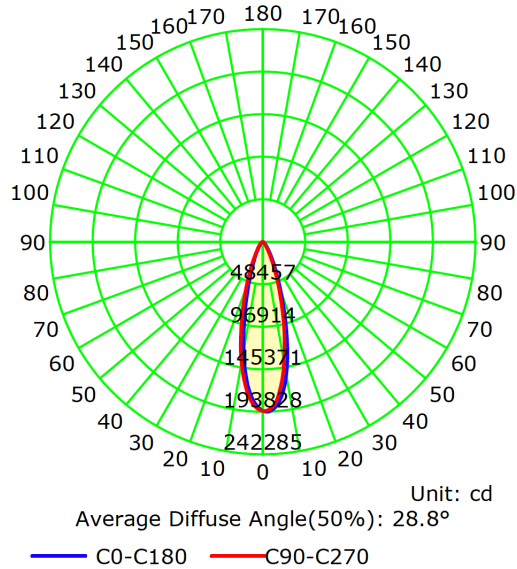
CONTRACTOR:	
PROJECT:	DATE:
PREPARED BY:	MODEL#:

PHOTOMETRIC REPORTS

30 DEGREE

Isocandela (rectangle)

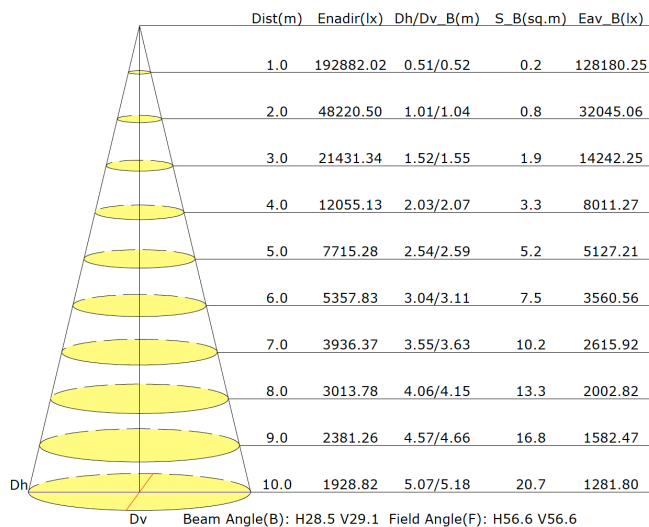
Luminous Intensity Distribution Curve



Imax (100%): 193828 cd

- (10%): 19383 cd
- (25%): 48457 cd
- (63%): 122112 cd
- (16%): 31013 cd
- (40%): 77531 cd
- (100%): 193828 cd

Illuminance at a Distance



APPLICATION AND PERFORMANCE SPECIFICATION IS SUBJECT TO CHANGE WITHOUT NOTIFICATION



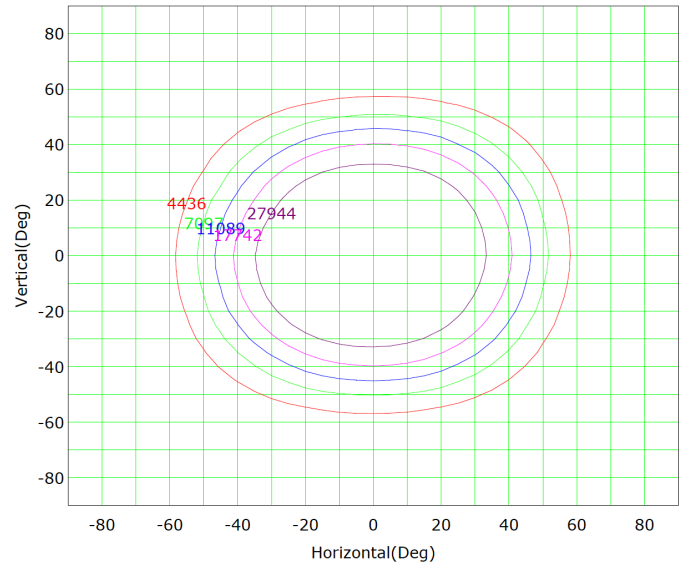
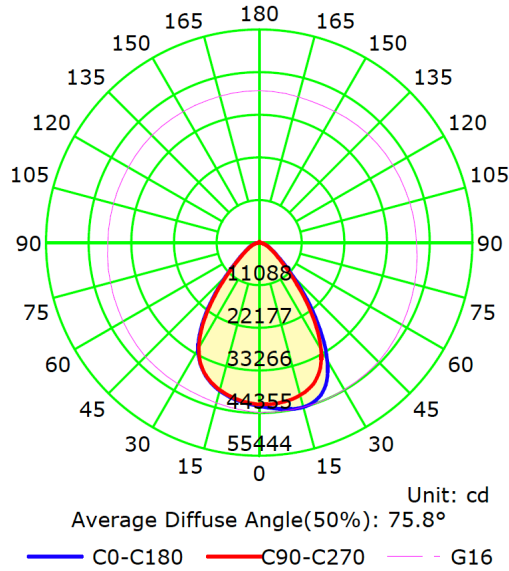
CONTRACTOR:	
PROJECT:	DATE:
PREPARED BY:	MODEL#:

PHOTOMETRIC REPORTS

80 DEGREE

Isocandela (rectangle)

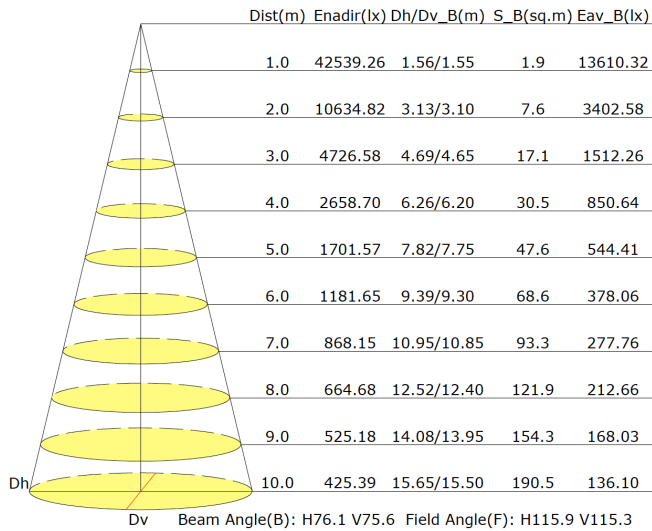
Luminous Intensity Distribution Curve



Imax (100%): 44356 cd

- (10%): 4436 cd
- (16%): 7097 cd
- (25%): 11089 cd
- (40%): 17742 cd
- (63%): 27944 cd
- (100%): 44356 cd

Illuminance at a Distance(Beam Angle)



APPLICATION AND PERFORMANCE SPECIFICATION IS SUBJECT TO CHANGE WITHOUT NOTIFICATION