



CONTRACTOR:	
PROJECT:	DATE:
PREPARED BY:	MODEL#:

**SERIES SPECIFICATIONS**



**CLY-5CS Series**

**4" LED Panel Light, Baffle**

The CLY series recessed LED panel light provides a highly versatile, high quality option for retrofit and new work applications.



**FEATURES AND SPECIFICATIONS**

**Construction:**

Remote mount steel driver box. Aluminum housing on LED array with finned heat sinks. These combined- provide excellent heat dissipation to entire LED system.

**Electrical:**

120v-277v

**Optics:**

PMMA optic with PS diffuser.

**Lighting Performance:**

High lumen, ideal for commercial applications. Five CCT options provide excellent versatility.

**Dimming:**

Triac dimming, 10-100%  
120V dimming only

**Installation:**

Remote mounted driver makes installation simple. Spring loaded clips on the LED array allow for quick installation- pulling the fixture flush to the mounting hole.

**Listings:**

ETL listed to US and Canadian safety standards. Wet location listed. IC Rated. For use in ambient operating temperatures ranging from -22°F to 104°F .

**Ambient Operating Temperature:**

-22°F to 104°F

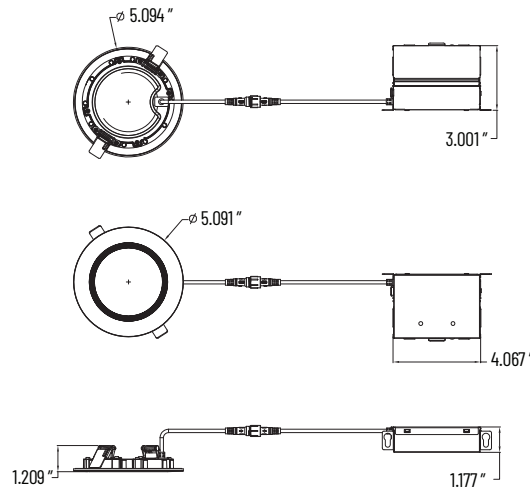
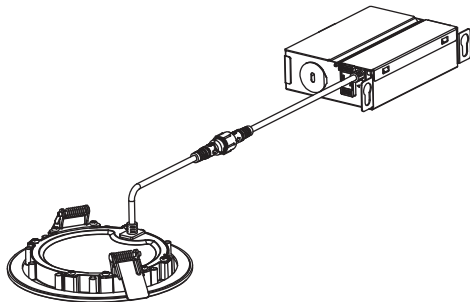
**Warranty:**

5-year limited warranty.

**NOTE:** Actual performance may differ as a result of end-user environment and application. All values are design or typical values, measured under laboratory conditions at 25 °C. Specifications subject to change without notice.

**LINE DRAWING**

Ceiling Opening: Ø 4 1/4"



APPLICATION AND PERFORMANCE SPECIFICATION IS SUBJECT TO CHANGE WITHOUT NOTIFICATION



CONTRACTOR:	
PROJECT:	DATE:
PREPARED BY:	MODEL#:

## ORDERING INFORMATION

EXAMPLE: CLY4B-5CS-WH

SERIES	DESCRIPTION	CCT SELECTABLE	COLOR
CLY4B-5CS-WH	4" LED Panel Light, Baffle	2700K/3000K/3500K/4000K/5000K	[ -WH ] : WHITE

## LIGHTING & ELECTRICAL SPECIFICATIONS

SERIES	INPUT POWER	LPW	LUMENS @ 2700K	CRI	L70 (HOURS)
CLY4B-5CS-WH	10.5W	95	1,000	80	50,000

Input	
Input Voltage (VAC)	120-277v
Frequency Range (Hz)	50-60 Hz
Efficiency @ Full Load	>87
Power Factor @ Full Load	> 0.9

## ACCESSORIES

\*Accessories sold separately

### ROUGH-HB 0588-0324

All in one rough plate. 3", 4", 6"



### EXTENSION CABLES 0542-2791

20FT extension cord for CLY CCTA



### CUSTOM GOOF RINGS

Custom goof rings for any application



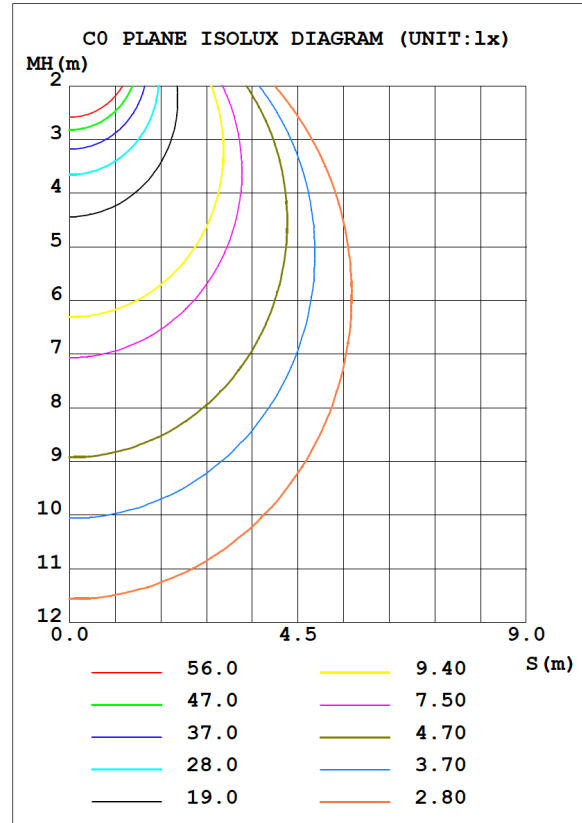
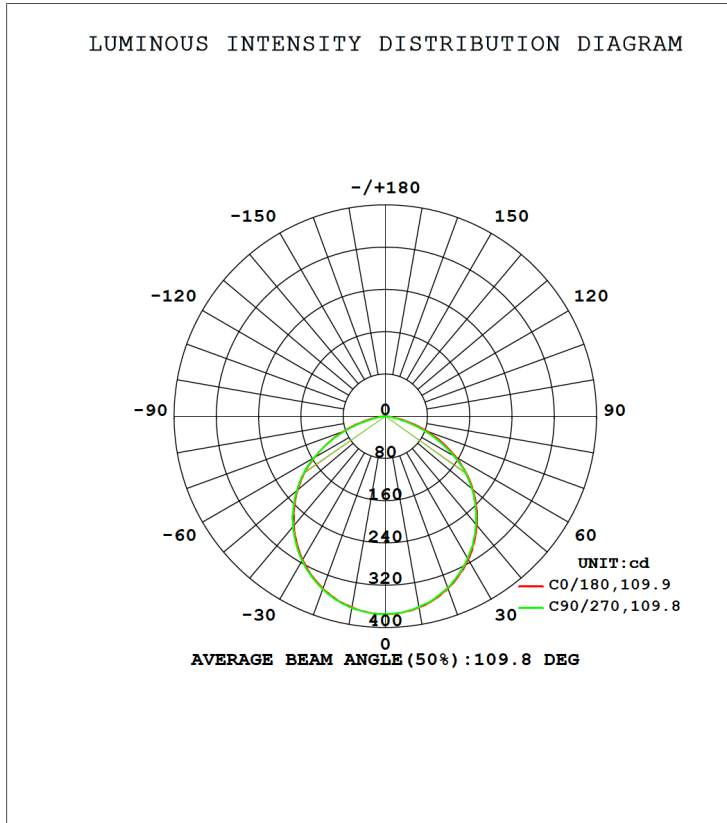
\*Contact the factory for more information.



CONTRACTOR:	
PROJECT:	DATE:
PREPARED BY:	MODEL#:

**PHOTOMETRIC REPORTS**

**CLY4B-5CS-WH (2700K)**





CONTRACTOR:	
PROJECT:	DATE:
PREPARED BY:	MODEL#:

**COMPATIBLE DIMMER LIST**

NO	BRAND	DIMMER ITEM NO
1	LUTRON	MACL-153MR-WH
2		TGCL-153P
3		SCL-153PR-WH
4		AY-600P
5		SCL-153P-LA
6		DVCL-153P
7		MACL-153P
8		CTCL-153P
9		TG-600PH-WH
10		LGCL-153P
11		S-603PG-WH
12		CTELV-303P-WH
13		DV-600P
14	LEVITON	6633-I
15		IPI06-1LZ
16		6161-A
17		6633-POG
18		6631
19		6633-PLW
20		6633-P
21		6674
22		IPI10-1LZ
23		IPL06-10Z
24		6151
25	6681	
26	GE	45602
27		55431