



CONTRACTOR:	
PROJECT:	DATE:
PREPARED BY:	MODEL#:

DESCRIPTION

CLY-5CS Series

6" LED Panel Light

The CLY series recessed LED panel light provides a highly versatile, high quality option for retrofit and new work applications.



FEATURES AND SPECIFICATIONS

Construction:

Remote mount steel driver box. Aluminum housing on LED array with finned heat sinks. These combined- provide excellent heat dissipation to entire LED system.

Electrical:

120v-277v

Optics:

PMMA optic with PS diffuser.

Lighting Performance:

High lumen, ideal for commercial applications. Five CCT options provide excellent versatility.

Dimming:

Triac dimming, 10-100%
120V dimming only

Installation:

Remote mounted driver makes installation simple. Spring loaded clips on the LED array allow for quick installation- pulling the fixture flush to the mounting hole.

Listings:

ETL listed to US and Canadian safety standards. Wet location listed. IC Rated. For use in ambient operating temperatures ranging from -22°F to 104°F.

Ambient Operating Temperature:

-22°F to 104°F

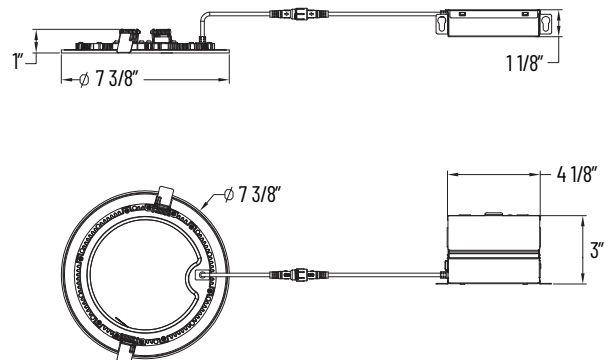
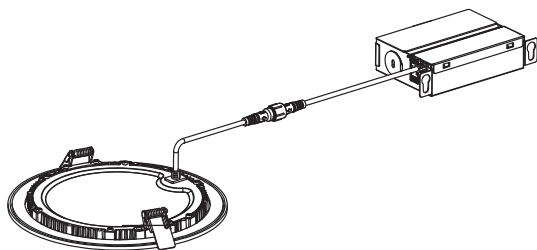
Warranty:

5-year limited warranty.

NOTE: Actual performance may differ as a result of end-user environment and application. All values are design or typical values, measured under laboratory conditions at 25 °C. Specifications subject to change without notice.

LINE DRAWING

Ceiling Opening: Ø 6 1/2"



APPLICATION AND PERFORMANCE SPECIFICATION IS SUBJECT TO CHANGE WITHOUT NOTIFICATION



CONTRACTOR:	
PROJECT:	DATE:
PREPARED BY:	MODEL#:

ORDERING INFORMATION

EXAMPLE: CLY6-5CS-WH

SERIES	DESCRIPTION	CCT SELECTABLE	COLOR
CLY6-5CS-WH	6" LED Panel Light	2700K/3000K/3500K/4000K/5000K	[-WH] : WHITE

LIGHTING & ELECTRICAL SPECIFICATIONS

SERIES	INPUT POWER	LPW	LUMENS @ 2700K	CRI	L70 (HOURS)
CLY6-5CS-WH	13.5W	111	1,500	80	50,000

Input	
Input Voltage (VAC)	120-277v
Frequency Range (Hz)	50-60 Hz
Efficiency @ Full Load	>87
Power Factor @ Full Load	> 0.9

ACCESSORIES

*Accessories sold separately

ROUGH-HB 0588-0324

All in one rough plate. 3", 4", 6"



CLY-LEDTRIM

Snap on trim for 4", 6" CLY available in black, mocha, and satin nickel.



EXTENSION CABLES 0542-2791

20FT extension cord for CLY CCTA



CUSTOM GOOF RINGS

Custom goof rings for any application



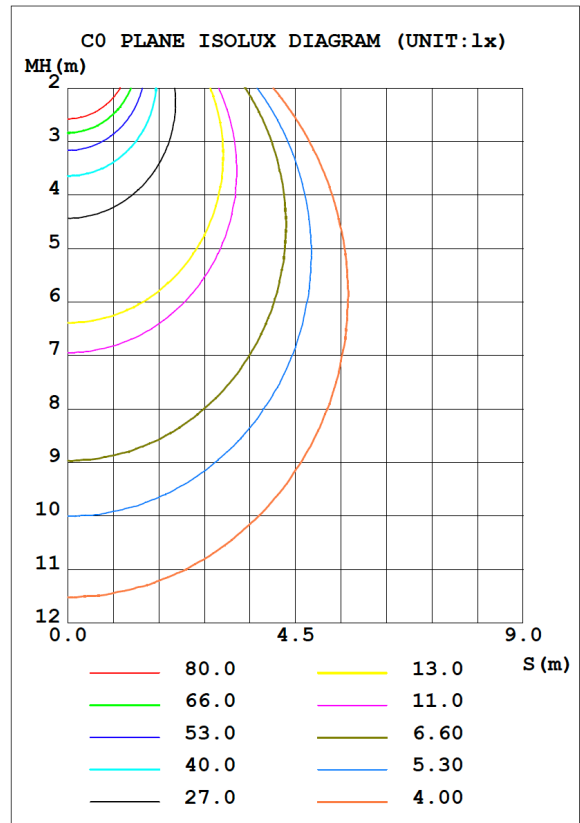
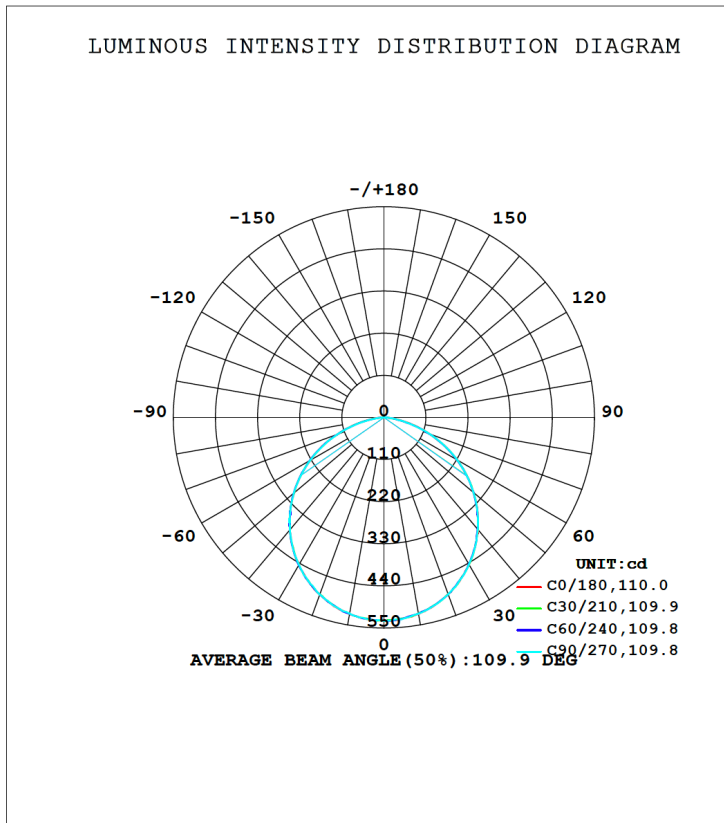
*Contact the factory for more information.



CONTRACTOR:	
PROJECT:	DATE:
PREPARED BY:	MODEL#:

PHOTOMETRIC REPORTS

CLY6-5CS-WH (2700K)





CONTRACTOR:	
PROJECT:	DATE:
PREPARED BY:	MODEL#:

COMPATIBLE DIMMER LIST

NO	BRAND	DIMMER ITEM NO
1	LUTRON	MACL-153MR-WH
2		TGCL-153P
3		SCL-153PR-WH
4		AY-600P
5		SCL-153P-LA
6		DVCL-153P
7		MACL-153P
8		CTCL-153P
9		TG-600PH-WH
10		LGCL-153P
11		S-603PG-WH
12		CTELV-303P-WH
13		DV-600P
14	LEVITON	6633-I
15		IPI06-1LZ
16		6161-A
17		6633-POG
18		6631
19		6633-PLW
20		6633-P
21		6674
22		IPI10-1LZ
23		IPL06-10Z
24		6151
25	6681	
26	GE	45602
27		55431