



PROJECT:	
LOCATION:	
MODEL#:	TYPE:
CLIENT:	QTY:
PREPARED BY:	DATE:

## IC406

### SERIES SPECIFICATIONS

Tamlite Lighting's IC406 is designed for shallow new construction installations. Suitable for use in ceilings where the housing can be in direct contact with insulation. Airtight construction reduces energy costs by reducing the amount of air leakages through the ceiling.



Max lamp wattage: 75W R/PAR30, 60W A19

5 1/2" height allows use in 2" x 6" construction

#### Bar Hangar

Designed to fit T-Bar spine without additional clamps for drop ceiling usage. Triangulated bar hangers with nails and leveling tab on the footprint.

#### Knockouts

(6) 1/2" , (1) 3/4"

#### Pryouts

(4) Romex pryout with strain relief

#### Housing

Adjusts to accommodate various ceiling thicknesses

#### Socket

Medium base porcelain socket on adjustable mounting bracket for proper lamp positioning

#### Ceiling Cut Out Size

6.31"



### LAMP SPECIFICATIONS

Base Type: E26 Base

Lamp Type: R30 / PAR30 / A19

### ELECTRICAL SPECIFICATIONS

Rated Input Voltage: 120VAC



PROJECT:	
LOCATION:	
MODEL#:	TYPE:
CLIENT:	QTY:
PREPARED BY:	DATE:

## CERTIFICATIONS

**Code Compliance:** UL , cULus Listed for Feed Through , cULus Listed for Damp Location

**Construction Standard:** Certified under ASTM-E283 for Airtight Construction

**Performance Certifications:** IC Rated / Air Tight

**Safety Certifications:** UL Listed

## ENVIRONMENTAL SPECIFICATIONS

**UL Location Rating:** Damp Location

## PHYSICAL SPECIFICATIONS

**Housing Material:** Galvanized Steel

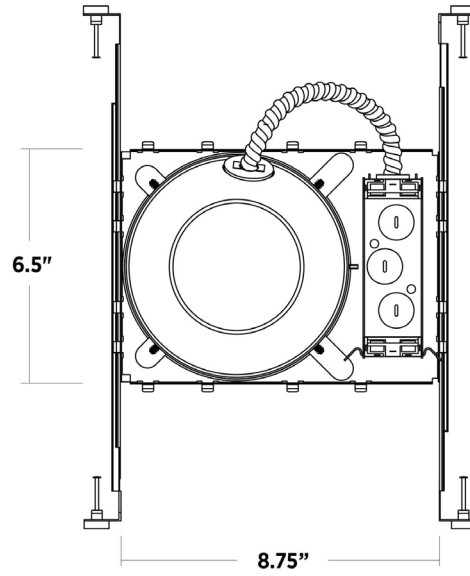
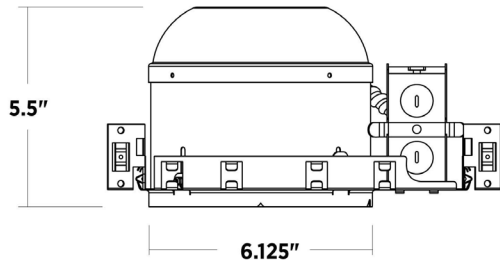
**Maximum Overall Diameter:** 10.5in.

**Maximum Overall Length:** 10.5in.

**Weight:** 2.35lbs



PROJECT:	
LOCATION:	
MODEL#:	TYPE:
CLIENT:	QTY:
PREPARED BY:	DATE:



## WARRANTY INFORMATION

Warranty: 1 Year



PROJECT:	
LOCATION:	
MODEL#:	TYPE:
CLIENT:	QTY:
PREPARED BY:	DATE:

**SAMPLE PART #: IC406**

SERIES	CONFIGURATION
IC	[406] : 6" Shallow New Work

**SHIPPING SPECIFICATIONS**

**Master Case**

**Height:** 7 in.  
**Length:** 23.25 in.  
**QTY:** 12

**QTY UOM:** EA  
**Weight:** 15.5lbs  
**Width:** 22.5in.

**Pallet**

**QTY:** 132  
**QTY UOM:** EA