



PROJECT:	
LOCATION:	
MODEL#:	TYPE:
CLIENT:	QTY:
PREPARED BY:	DATE:

IC205AT

SERIES SPECIFICATIONS

Tamlite Lighting's IC205AT is designed for new construction installations. Suitable for use in ceilings where the housing can be in direct contact with insulation. Airtight construction reduces energy costs by reducing the amount of air leakages through the ceiling.



Max lamp wattage: 75W R/PAR30, 60W A19

7 1/2" height allows use in 2" x 8" construction

Bar Hangar

Designed to fit T-Bar spine without additional clamps for drop ceiling usage. Triangulated bar hangers with nails and leveling tab on the footprint

Knockouts

(6) 1/2" , (1) 3/4"

Pryouts

(4) Romex pryout with strain relief

Housing

Adjusts to accommodate various ceiling thicknesses

Socket

Medium base porcelain socket on adjustable mounting bracket for proper lamp positioning



LAMP SPECIFICATIONS

Base Type: E26 Base

Lamp Type: PAR30 / A19

ELECTRICAL SPECIFICATIONS

Rated Input Voltage: 120VAC



PROJECT:	
LOCATION:	
MODEL#:	TYPE:
CLIENT:	QTY:
PREPARED BY:	DATE:

CERTIFICATIONS

Code Compliance: UL , cULus Listed for Feed Through , cULus Listed for Damp Location

Construction Standard:

Certified under ASTM-E283 for Airtight Construction

Performance Certifications: IC Rated / Air Tight

Safety Certifications: UL Listed

ENVIRONMENTAL SPECIFICATIONS

UL Location Rating: Damp Location

PHYSICAL SPECIFICATIONS

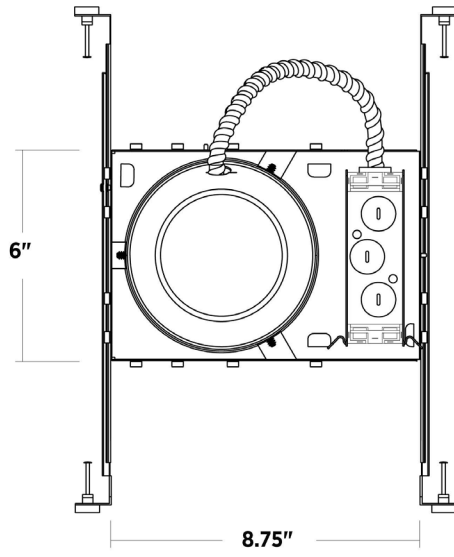
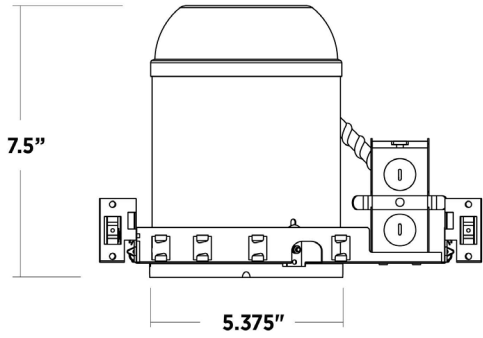
Housing Material: Galvanized Steel

Maximum Overall Length: 10.5in.

Weight: 2.16lbs



PROJECT:	
LOCATION:	
MODEL#:	TYPE:
CLIENT:	QTY:
PREPARED BY:	DATE:



WARRANTY INFORMATION

Warranty: 1 Year



PROJECT:	
LOCATION:	
MODEL#:	TYPE:
CLIENT:	QTY:
PREPARED BY:	DATE:

SAMPLE PART #: IC205AT

SERIES	CONFIGURATION
IC	[205AT] : 5" New Work

SHIPPING SPECIFICATIONS

Package

Height: 8.5in.
Length: 22in.
QTY: 6

QTY UOM: EA
Weight: 17.15lbs
Width: 20.5in.

Master Case

Height: 8.5in.
Length: 22in.
QTY: 6

QTY UOM: EA
Weight: 17.15lbs
Width: 20.5in.

Pallet

QTY: 216
QTY UOM: EA