



PROJECT:	
LOCATION:	
MODEL#:	TYPE:
CLIENT:	QTY:
PREPARED BY:	DATE:

LSRMR-LED

SERIES SPECIFICATIONS

2-Head LED Emergency light



ELECTRICAL SPECIFICATIONS

Rated Input Voltage: 120VAC / 277VAC
Wattage: 5.4W

EMERGENCY SPECIFICATIONS

Battery Recharge Time: 24hr
Emergency Runtime: 90Minutes

CERTIFICATIONS

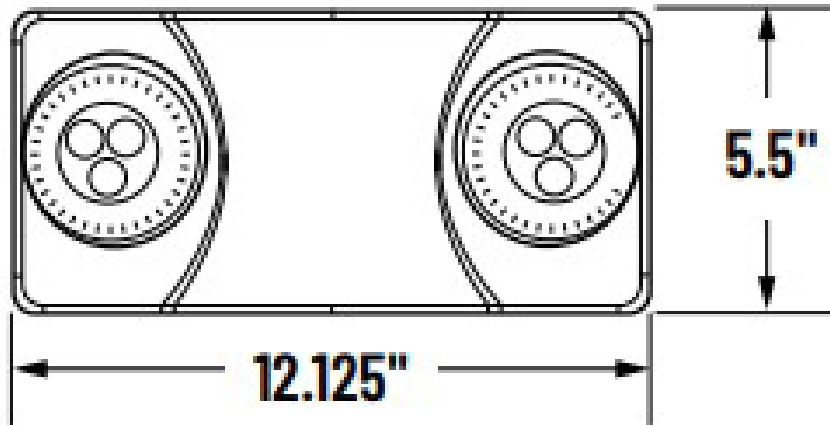
Safety Certifications: UL Listed

ENVIRONMENTAL SPECIFICATIONS

UL Location Rating: Damp Location



PROJECT:	
LOCATION:	
MODEL#:	TYPE:
CLIENT:	QTY:
PREPARED BY:	DATE:



WARRANTY INFORMATION

Warranty: 5 Years



PROJECT:	
LOCATION:	
MODEL#:	TYPE:
CLIENT:	QTY:
PREPARED BY:	DATE:

EXAMPLE: LSRMR-LED

Series	Housing Color	Option
LSRMR-LED	BLANK: WHITE	BLANK: NO OPTION

SHIPPING SPECIFICATIONS

Case

Length: 12.375 in.

QTY: 1

Weight: 4.25lbs

Width: 5.75 in.

Master Case

Height: 12.25 in.

Length: 12.375 in.