



PROJECT:	
LOCATION:	
MODEL#:	TYPE:
CLIENT:	QTY:
PREPARED BY:	DATE:

TCOWR190BZ

SERIES SPECIFICATIONS

The TCOWR190BZ 1-Light Wall Mount Bracket is a durable steel bracket designed for outdoor use with slip fitter mount area lights and flood lights. It supports one light making it ideal for commercial applications such as parking lots, outdoor storage yards and other areas requiring wall mount lighting.



CERTIFICATIONS

Performance Certifications: BAA Compliant / Weather Resistant

PHYSICAL SPECIFICATIONS

EPA: 0.1ft²

Finish Color: Bronze

Finish Type: Powder Coat

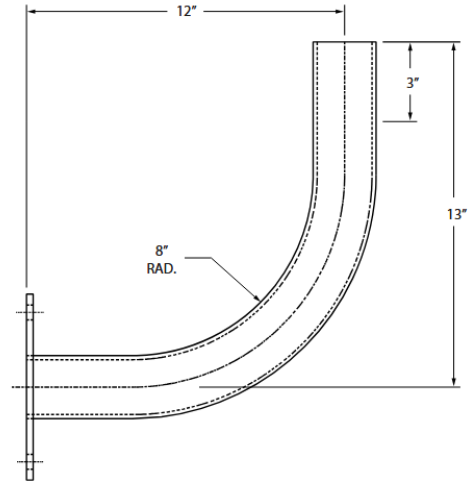
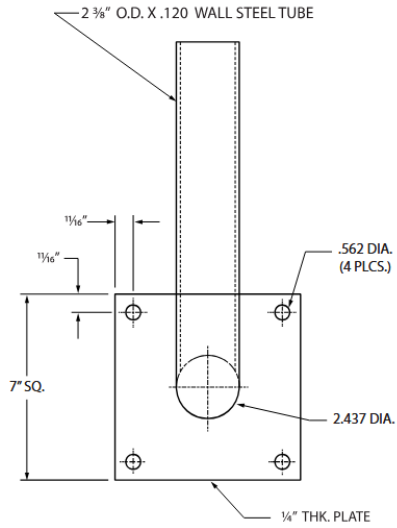
Housing Material: Steel

Mounting: Wall

Weight: 9lbs



PROJECT:	
LOCATION:	
MODEL#:	TYPE:
CLIENT:	QTY:
PREPARED BY:	DATE:



WARRANTY INFORMATION

Warranty: 1 Year

NOTES

Mount type: wall
 Number of tenons: 1
 Tenon size: 2 3/8"

SHIPPING SPECIFICATIONS



PROJECT:	
LOCATION:	
MODEL#:	TYPE:
CLIENT:	QTY:
PREPARED BY:	DATE:

Case

Weight: 9lbs

Master Case

Height: 10 in.
Length: 16 in.
QTY: 1

Weight: 9lbs
Width: 16 in.