



PROJECT:	
LOCATION:	
MODEL#:	TYPE:
CLIENT:	QTY:
PREPARED BY:	DATE:

TCOBS2BZ

SERIES SPECIFICATIONS

The TCOBS2BZ 2-Light Inline Square Bracket is a durable steel pole-top bracket designed for outdoor use with slip fitter mount area lights and flood lights. Its square tube design supports two lights for wide, even illumination, making it ideal for commercial applications such as parking lots, outdoor storage yards and other areas requiring pole mount lighting.



CERTIFICATIONS

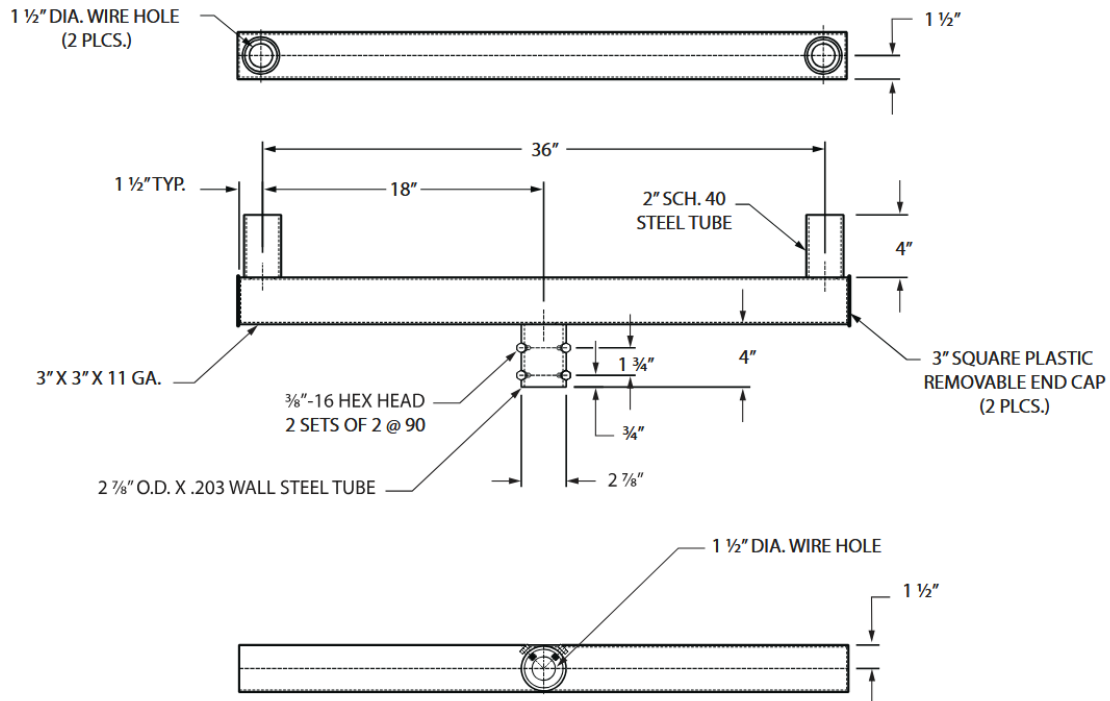
Performance Certifications: BAA Compliant / Weather Resistant

PHYSICAL SPECIFICATIONS

EPA: 1.7ft²
Finish Color: Bronze
Finish Type: Powder Coat
Housing Material: Steel

Mounting: Pole
Weight: 20lbs

PROJECT:	
LOCATION:	
MODEL#:	TYPE:
CLIENT:	QTY:
PREPARED BY:	DATE:



WARRANTY INFORMATION

Warranty: 1 Year

NOTES

- Mount type: 2 3/8" pole
- Number of tenons: 2 inline
- Tenon size: 2 3/8"

SHIPPING SPECIFICATIONS



PROJECT:	
LOCATION:	
MODEL#:	TYPE:
CLIENT:	QTY:
PREPARED BY:	DATE:

Master Case

Height: 6 in.
Length: 40 in.
QTY: 1

Weight: 20lbs
Width: 12 in.