



PROJECT:	
LOCATION:	
MODEL#:	TYPE:
CLIENT:	QTY:
PREPARED BY:	DATE:

TCOWPR1BZ

SERIES SPECIFICATIONS

The TCOWPR1BZ 1-Light Wood Pole Bracket is a durable steel bracket designed for outdoor use with slip fitter mount area lights and flood lights. Its bullhorn-style design supports one light making it ideal for commercial applications such as parking lots, outdoor storage yards and other areas requiring wood pole mount lighting.



CERTIFICATIONS

Performance Certifications: BAA Compliant / Weather Resistant

PHYSICAL SPECIFICATIONS

EPA: 0.5ft²

Finish Color: Bronze

Finish Type: Powder Coat

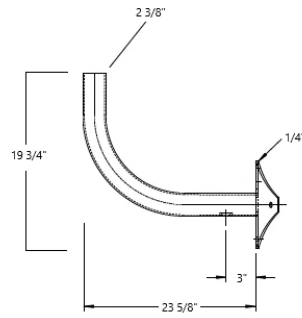
Housing Material: Steel

Mounting: Wood Pole

Weight: 15lbs



PROJECT:	
LOCATION:	
MODEL#:	TYPE:
CLIENT:	QTY:
PREPARED BY:	DATE:



WARRANTY INFORMATION

Warranty: 1 Year

NOTES

Mount type: wood pole

Number of tenons: 1

Tenon size: 2 3/8"

SHIPPING SPECIFICATIONS



PROJECT:	
LOCATION:	
MODEL#:	TYPE:
CLIENT:	QTY:
PREPARED BY:	DATE:

Case

Weight: 15lbs

Master Case

Height: 12.5 in.

Length: 12 in.

QTY: 1

Weight: 15lbs

Width: 24 in.