



PROJECT:	
LOCATION:	
MODEL#:	TYPE:
CLIENT:	QTY:
PREPARED BY:	DATE:

TCOBR490BZ

SERIES SPECIFICATIONS

The TCOBR490BZ 4-Light 90° Bullhorn is a durable steel pole-top bracket designed for outdoor use with slip fitter mount area lights and flood lights. Its bullhorn-style design supports four lights for wide, even illumination, making it ideal for commercial applications such as parking lots, outdoor storage yards and other areas requiring pole mount lighting.



CERTIFICATIONS

Performance Certifications: BAA Compliant / Weather Resistant

PHYSICAL SPECIFICATIONS

EPA: 2.5ft²

Finish Color: Bronze

Finish Type: Powder Coat

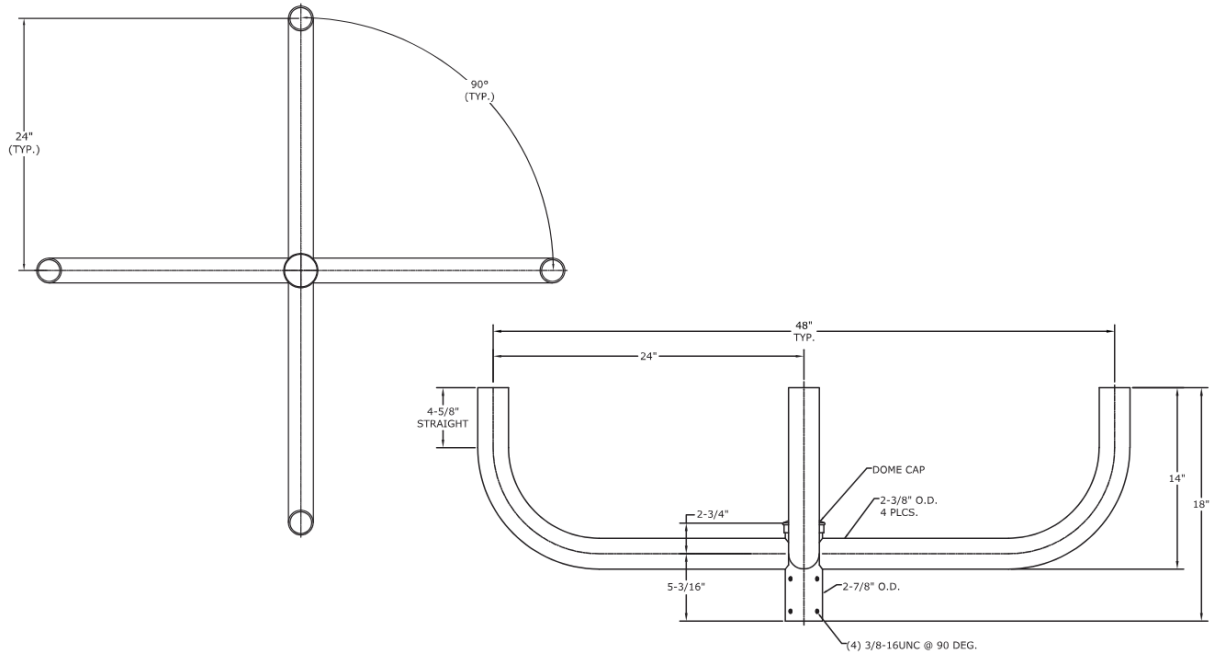
Housing Material: Steel

Mounting: Pole

Weight: 43lbs



PROJECT:	
LOCATION:	
MODEL#:	TYPE:
CLIENT:	QTY:
PREPARED BY:	DATE:



WARRANTY INFORMATION

Warranty: 1 Year

NOTES

- Mount type: 2 3/8" pole
- Number of tenons: 4 at 90°
- Tenon size: 2 3/8"

SHIPPING SPECIFICATIONS



PROJECT:	
LOCATION:	
MODEL#:	TYPE:
CLIENT:	QTY:
PREPARED BY:	DATE:

Case

Weight: 43lbs

Master Case

Height: 50 in.

Length: 43 in.

QTY: 1

Weight: 43lbs

Width: 50 in.