



PROJECT:	
LOCATION:	
MODEL#:	TYPE:
CLIENT:	QTY:
PREPARED BY:	DATE:

TCOTR35IBZ

SERIES SPECIFICATIONS

The TCOTR35IBZ External Round Pole Top Tenon Reducer is designed for outdoor use with slip fitter mount area lights and flood lights. The design adapts a 3.5" round pole top to a 2 3/8" tenon making it ideal for commercial applications such as parking lots, outdoor storage yards and other areas requiring pole mount lighting.



CERTIFICATIONS

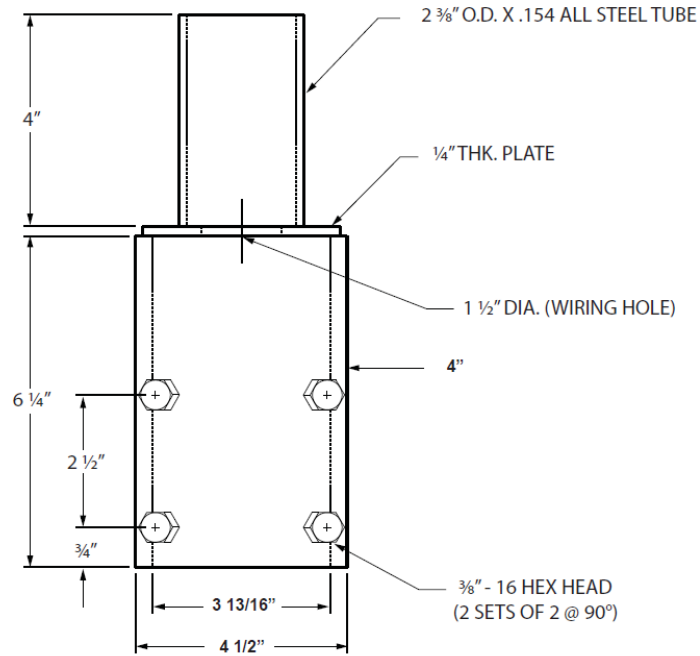
Performance Certifications: BAA Compliant / Weather Resistant

PHYSICAL SPECIFICATIONS

EPA: 0ft²
Finish Color: Bronze
Finish Type: Powder Coat
Housing Material: Steel

Mounting: Pole
Weight: 11lbs

PROJECT:	
LOCATION:	
MODEL#:	TYPE:
CLIENT:	QTY:
PREPARED BY:	DATE:



WARRANTY INFORMATION

Warranty: 1 Year

NOTES

- Mount type 3.5" pole top
- Number of tenons: 1
- Tenon size: 2 3/8"
- Hardware included

SHIPPING SPECIFICATIONS



PROJECT:	
LOCATION:	
MODEL#:	TYPE:
CLIENT:	QTY:
PREPARED BY:	DATE:

Master Case

Height: 10.25 in.
Length: 4.5 in.
QTY: 1

Weight: 11lbs
Width: 4.5 in.